

HYDRAULIC SWIVEL
JOINTS

DISTRIBUTORI
ROTANTI

DISTRIBUIDOR
ROTATIVO HIDRÁULICO

ГИДРАВЛИЧЕСКОЕ
ПОВОРОТНОЕ
СОЕДИНЕНИЕ

中央回转体

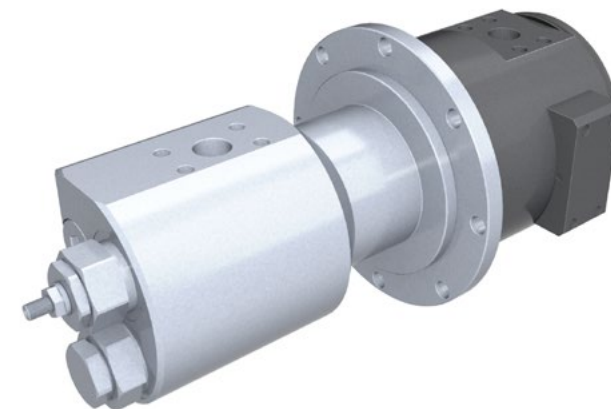




**HYDRAULIC SWIVEL JOINTS
DISTRIBUTORI ROTANTI**

CATALOGO GENERALE

GENERAL CATALOGUE



The company



Since 1967 HBS Group operates in the production and marketing of hydraulic and electromechanical components. The constant search for technical solutions, the constant improving the quality of product and process, in addition to the efficiency and flexibility of the production allow HBS to the continued success in the global market. The presence of HBS with unit production and trade in different continents, alongside a qualified distribution network, provides customer assistance it needs. HBS is your partner for the development and supply of hydraulic components and electromechanical.

With its technical staff HBS is able to realize and customize, in synergy with the customer, highly innovative hydraulic swivel joints for each type of use, from transport to construction, from construction machinery to agriculture, from ecology to industrial systems.



PHILOSOPHY



HBS bases its development on the singergy with the customer

R&D

HBS is able to anticipate the needs of the changing market and to develop customized products



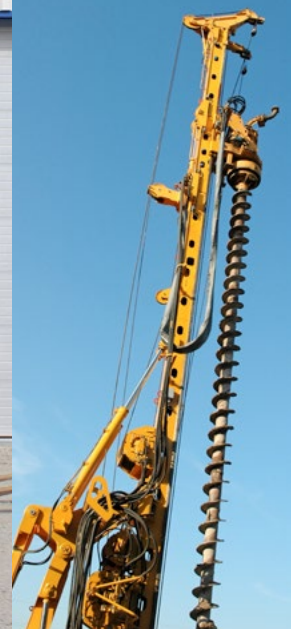
Application fields



**DRILLING RIGS
EXCAVATOR
MINING MACHINE
MOBILE CRANE
AERIAL PLATFORM**

INNOVATION

HBS is one truth in a position to forerunning the needs of a market in constant evolution



To choose technology HBS, mean to entrust themselves to a sure, synonymous partner of quality in the lift.

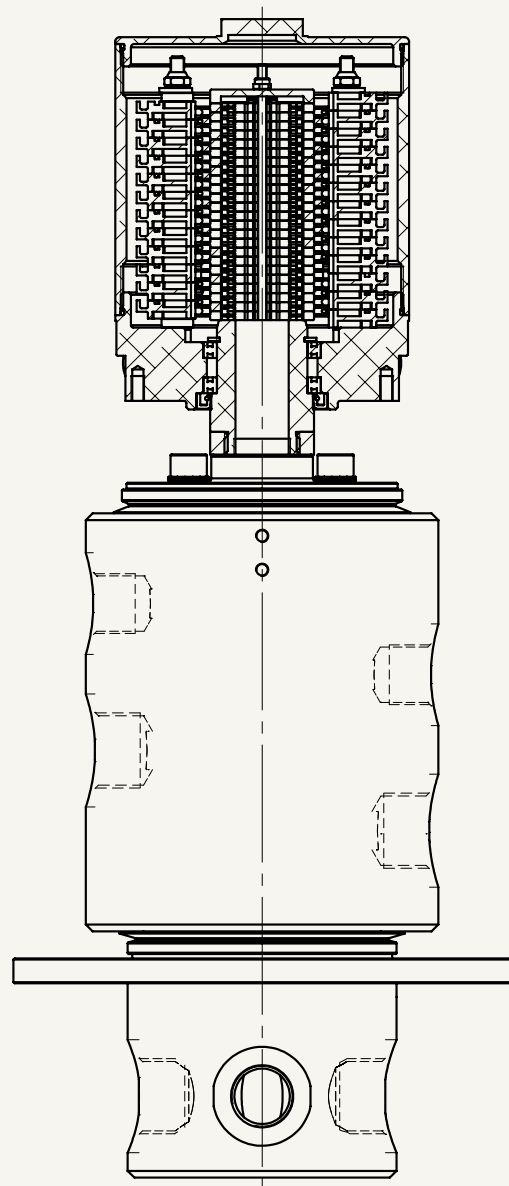
For this we put to disposition know how of our engineers and our technicians who place side by side the customers in the planning, in the study and the search of new solutions. Thanks to the high level of experience acquired by its personnel, **HBS** personalised design and planning, and high level professional consulting for the installation of systems are

guaranteed. With the unit planning, **HBS** in a position to devising, realizing and to personalize, in synergy with the customer, valves and hydraulic components highly innovated for every kind of employment, from the transports to the earth movement, from the building to agriculture, the ecology to the industrial systems. **HBS** bases the principle of its own development upon synergism with the costumer.



DISTRIBUTORE ROTANTE ELETTRICO / ELECTRICAL SWIVEL JOINT

Caratteristiche tecniche generali / General technical informations



ACCESSORI:

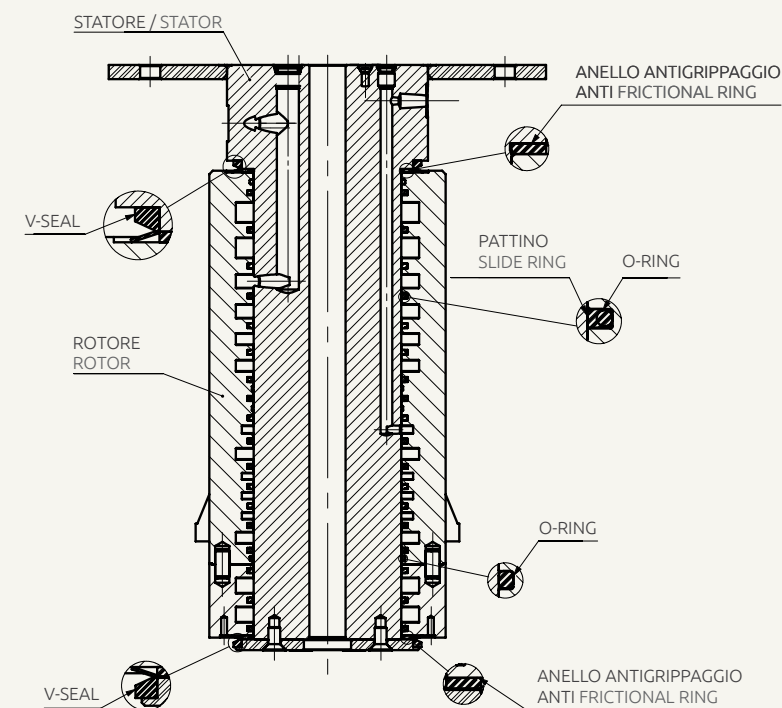
Fornitura giunto rotante elettrico secondo specifiche del cliente.

ACCESSORIES:

Every model can be equipped with electrical swivel joint following the specification of the customer.

DISTRIBUTORE ROTANTE IDRAULICO / HYDRAULIC SWIVEL JOINT

Caratteristiche tecniche generali / General technical informations



MATERIALI DI COSTRUZIONE

statore: C40 - alluminio; **rotore:** S35J2G3 - alluminio

FLUIDI

olio idraulico - DOT 4 - H2O - grassi - idrocarburi - gas

TRATTAMENTI SUPERFICIALI

statore: cromo duro - nichelatura - ossidazione

rotore: fosfatizzazione al manganese - nichelatura - ossidazione

TENUTE

guarnizioni in buna N - viton - EPDM - anelli in teflon caricati

CARATTERISTICHE DI LAVORO

temperatura consigliata d'esercizio: -10°C a +80°C

temperatura massima d'esercizio: +90°

temperatura massima/minima ambientale: -20°C + 60°C

n° di giri max di rotazione: 12 rpm

pressione max: 420 bar;

coppia di rotazione: dipende dal modello; **coppia di**

stacco: dipende dal modello

montaggio: orientamento verticale; **forze radiali e**

assiali: non concesse

Tutti i dati contenuti nel presente documento non sono riproducibili e possono essere modificati in ogni momento a discrezione della ditta costruttrice.

CONSTRUCTION :

stator: C40 - aluminium; **rotor:** S35J2G3 - aluminium

FLUIDS

hydraulic oil - DOT 4 - H2O - grease - hydrocarbons - gas

SURFACE TREATMENTS

stator: hard chromium plating - nickel plating - hard oxidation

rotor: phosphatizing with manganese - nickel plating - hard oxidation

SEALING COMPONENTS

seals in buna N - viton - EPDM - special teflon rings

WORKING CONDITIONS

ideal operating range: -10°C ÷ 80°C

max operating temperature: 90°C

min/max environment temperatures: -20°C / +60°C

max rotating speed: 12 rpm

max pressure: 420 bar;

rotating torque: it depends by the model; **starting**

torque: it depends by the model

mounting position: vertical; **axial and radial loads:** no allowed

All the data of this catalogue are not reproducibles and can have modifications at discretion of HBS.



Indice

Index

Distributori rotanti - 2 vie
Hydraulic swivel joints - 2 ways

2

Distributori rotanti - 3 vie
Hydraulic swivel joints - 3 ways

3

Distributori rotanti - 4 vie
Hydraulic swivel joints - 4 ways

4

Distributori rotanti - 5 vie
Hydraulic swivel joints - 5 ways

5

Distributori rotanti - 6 vie
Hydraulic swivel joints - 6 ways

6

Distributori rotanti - 7 vie
Hydraulic swivel joints - 7 ways

7

Distributori rotanti - 8 vie
Hydraulic swivel joints - 8 ways

8

Distributori rotanti - 9 vie
Hydraulic swivel joints - 9 ways

9

Distributori rotanti - 10 vie
Hydraulic swivel joints - 10 ways

10

Distributori rotanti - 12 vie
Hydraulic swivel joints - 12 ways

12

Distributori rotanti - 13 vie
Hydraulic swivel joints - 13 ways

13

Distributori rotanti - 14 vie
Hydraulic swivel joints - 14 ways

14

Distributori rotanti - 15 vie
Hydraulic swivel joints - 15 ways

15

Distributori rotanti - 16 vie
Hydraulic swivel joints - 16 ways

16

Distributori rotanti - 18 vie
Hydraulic swivel joints - 18 ways

18

Distributori rotanti - 22 vie
Hydraulic swivel joints - 22 ways

22

ITEM CODE	Connessione slipring Slipring connection	Pressione Max (bar) Max pressure (bar)	Cuscinetti sigillati Sealed bearings	M10x1	M12x1,5	M14x1,5	M16x1,5	M18x1,5		M20x1,5	M22x1,5	M27x2	M33x2	M42x2	M48x2		
				7/16"-20UNF	1/2"-20UNF	9/16"-18UNF	3/4"-16UNF			7/8"-14UNF	1.1/16"-12UN	1.5/16"-12UN	1.5/8"-12UN	1.7/8"-12UN			
				1/8"G		1/4"G	3/8"G			1/2"G	3/4"G	1"G	1.1/4"G	1.1/2"G	2"G		
							3/8" SAE3000			1/2" SAE3000	3/4" SAE3000	1" SAE3000	1.1/4" SAE3000	1.1/2" SAE3000	2" SAE3000	2.1/2" SAE3000	
							3/8" SAE6000			1/2" SAE6000	3/4" SAE6000	1" SAE6000	1.1/4" SAE6000	1.1/2" SAE6000	2" SAE6000	2.1/2" SAE6000	
			1/8" NPT		1/4" NPT	3/8" NPT				1/2" NPT	3/4" NPT	1" NPT					
8 VIE									8 VIE								
D085080000	x	300								4	4						
D100080100	x	380								4	3	1					
D100080500	x	350									4	4					
D100080800		350					5				2	1					
D100080900	x	320					1				3 + 4						
D110080200	x	350									4	4					
D110080300	x	400					3			1		2	2				
D110080400	x	350								3	1		4				
D110080600		400			1					1	2		4				
D145080100	x	350					2			1	2	2	1				
D190080000		300					8										
9 VIE									9 VIE								
D085090100		350					4			3		2					
D085090200	x	350			5		4										
D100090100		350								3	4	2					
D105090100		300								3	2	4					
D105090200		320			2		1			4	2						
D110090200	x	350								2		4 + 2	1				
D145090100		320								2	1 + 2		4				
10 VIE									10 VIE								
D100100100	x	300				8				2							
D100100200		350				3				1		6					
D105100100		380					2			4	4						
D125100300*	x	300				1				3	3		1	2			
D145100200		400								3	1		6				
12 VIE									12 VIE								
D085120100		350					12										
D085120300*	x	350				3	6			1		2					
D100120100		330				7				1	4						
D124120200		350								2	8	2					
D125120100	x	300		2		2	2			3			3				
D145120100		350								5	1	1	4	1			
13 VIE									13 VIE								
D100130000	x	420	x							9	4						
D100130300	x	350				6		2	3			2					
D170130100	x	350								2		4 + 6	1				
D180130000		300				1	3	1		2		2		1	1		

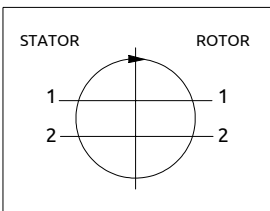
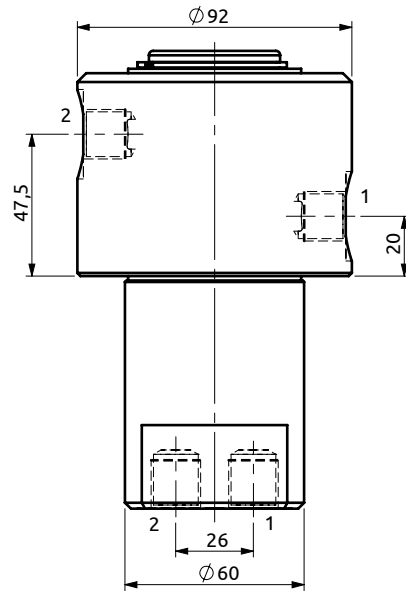
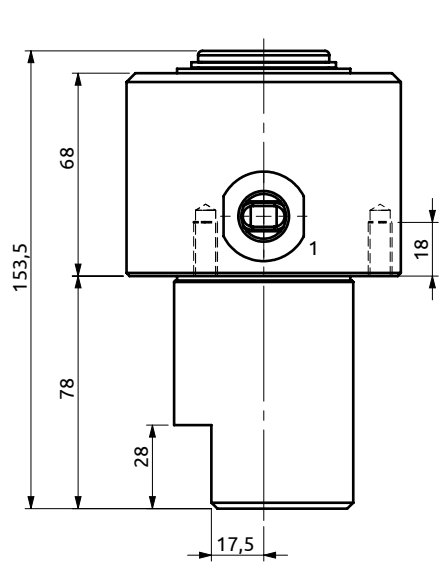
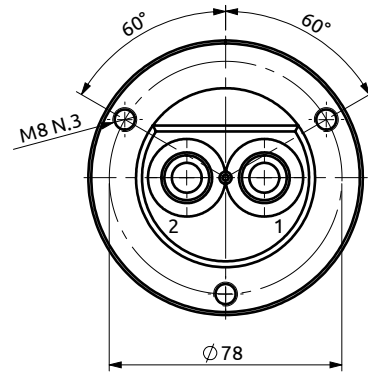
ITEM CODE	Connessione slipring Slipring connection	Pressione Max (bar) Max pressure (bar)	Cuscinetti sigillati Sealed bearings	M10x1	M12x1,5	M14x1,5	M16x1,5	M18x1,5		M20x1,5	M22x1,5	M27x2	M33x2	M42x2	M48x2		
				7/16"-20UNF	1/2"-20UNF	9/16"-18UNF	3/4"-16UNF			7/8"-14UNF	1.1/16"-12UN	1.5/16"-12UN	1.5/8"-12UN	1.7/8"-12UN			
				1/8"G		1/4"G	3/8"G			1/2"G	3/4"G	1"G	1.1/4"G	1.1/2"G	2"G		
							3/8" SAE3000			1/2" SAE3000	3/4" SAE3000	1" SAE3000	1.1/4" SAE3000	1.1/2" SAE3000	2" SAE3000	2.1/2" SAE3000	
							3/8" SAE6000			1/2" SAE6000	3/4" SAE6000	1" SAE6000	1.1/4" SAE6000	1.1/2" SAE6000	2" SAE6000	2.1/2" SAE6000	
			1/8" NPT		1/4" NPT	3/8" NPT			1/2" NPT	3/4" NPT	1" NPT						
14 VIE									14 VIE								
D100140100		350								12	2						
D124140200		350			4			3			1	6					
D170140100		320			5					2	4		1	2			
15 VIE									15 VIE								
D124150100	x	350			2					9	2		2				
D124150400	x	350			2					9	2		2				
D145150100*		320				6				5	1	2	1				
16 VIE									16 VIE								
D125160100		300			5	1				6	2	2					
18 VIE									18 VIE								
D145180100	x	380			7					7			4				
D170180100		300			4					7	4	1	1	1			
22 VIE									22 VIE								
D124220100*	x	320			16					3			3				

* Giunti speciali per informazioni contattare customerservice@hbs.it
Special swivel joints contact customerservice@hbs.it for more information



Distributore rotante 02 vie
Swivel joint 02 ways

Item code
D045020000

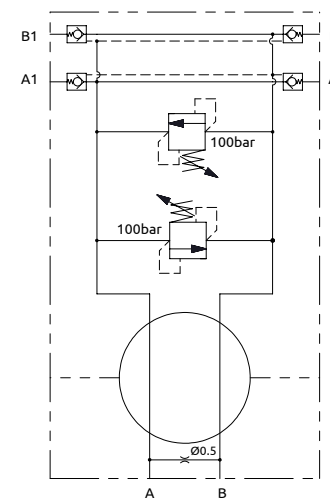
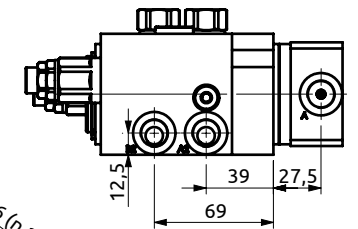
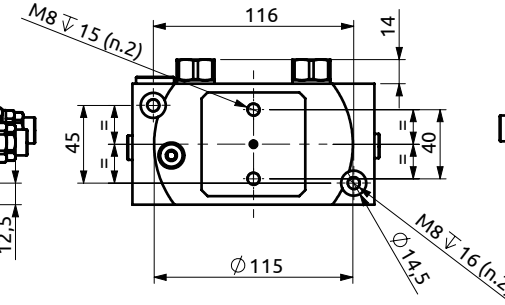
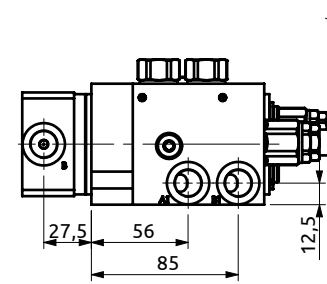
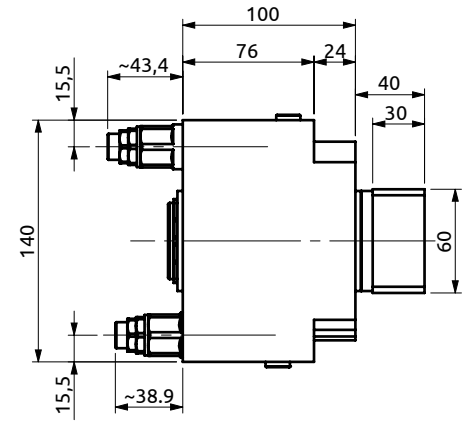
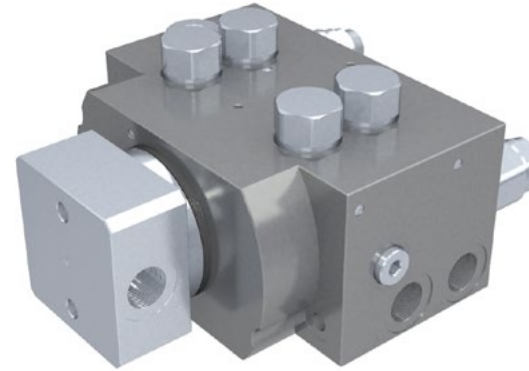


POS.	Statore Stator	Rotore Rotor	DN (mm)	Pressione max a 12RPM (bar) Max pressure at 12RPM (bar)	Fluido Fluid
1	3/8"G	3/8"G	10	300	Hydraulic Oil
2	3/8"G	3/8"G	10	300	Hydraulic Oil



Distributore rotante 02 vie
Swivel joint 02 ways

Item code
D045020100



POS.	Statore Stator	Rotore Rotor	DN (mm)	Pressione max a 12RPM (bar) Max pressure at 12RPM (bar)	Fluido Fluid
1	3/8"G	3/8"G	10	300	Hydraulic Oil
2	3/8"G	3/8"G	10	300	Hydraulic Oil



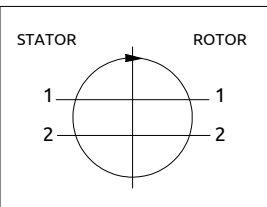
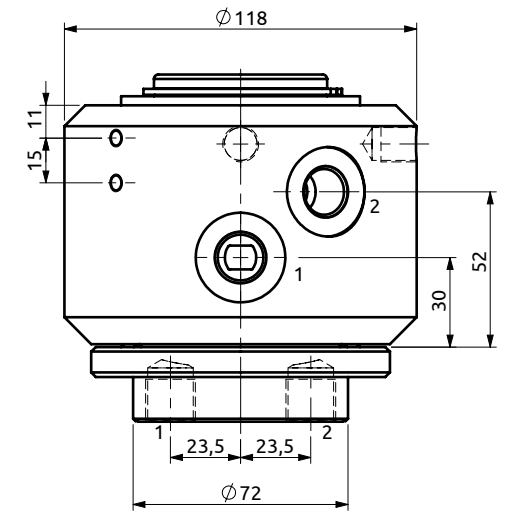
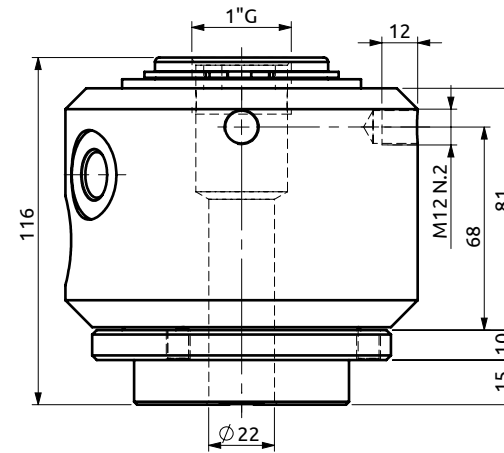
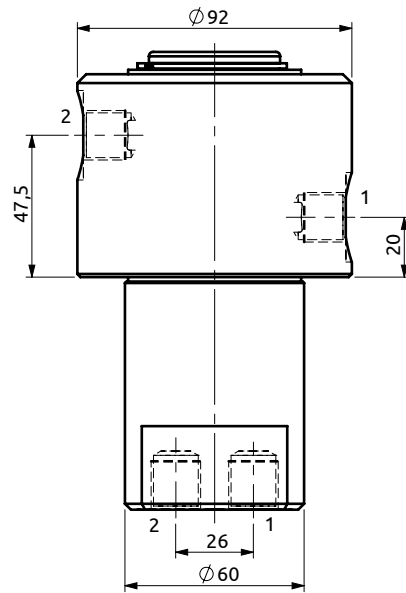
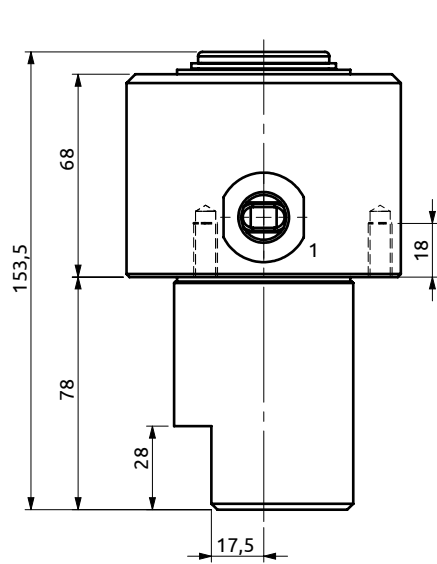
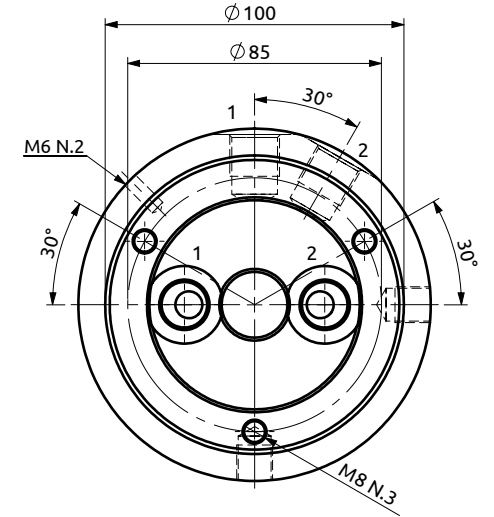
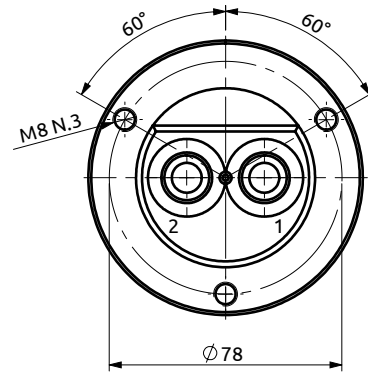
Distributore rotante 02 vie
Swivel joint 02 ways

Item code
D045020200

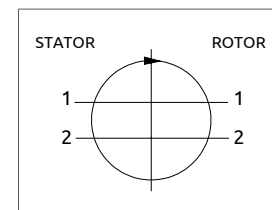


Distributore rotante 02 vie
Swivel joint 02 ways

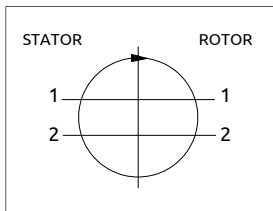
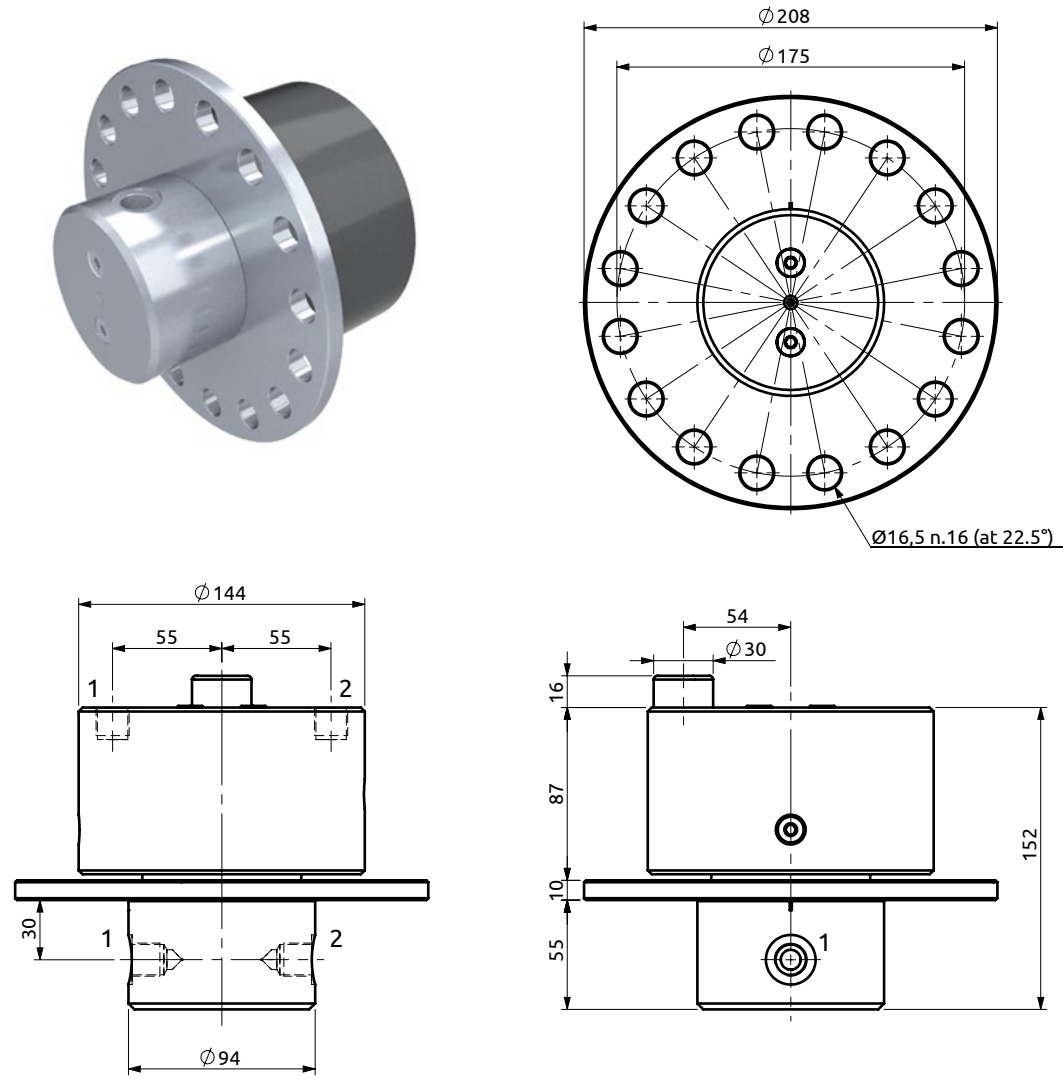
Item code
D060020100



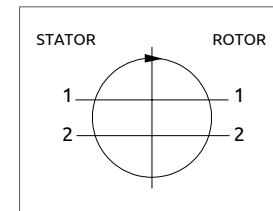
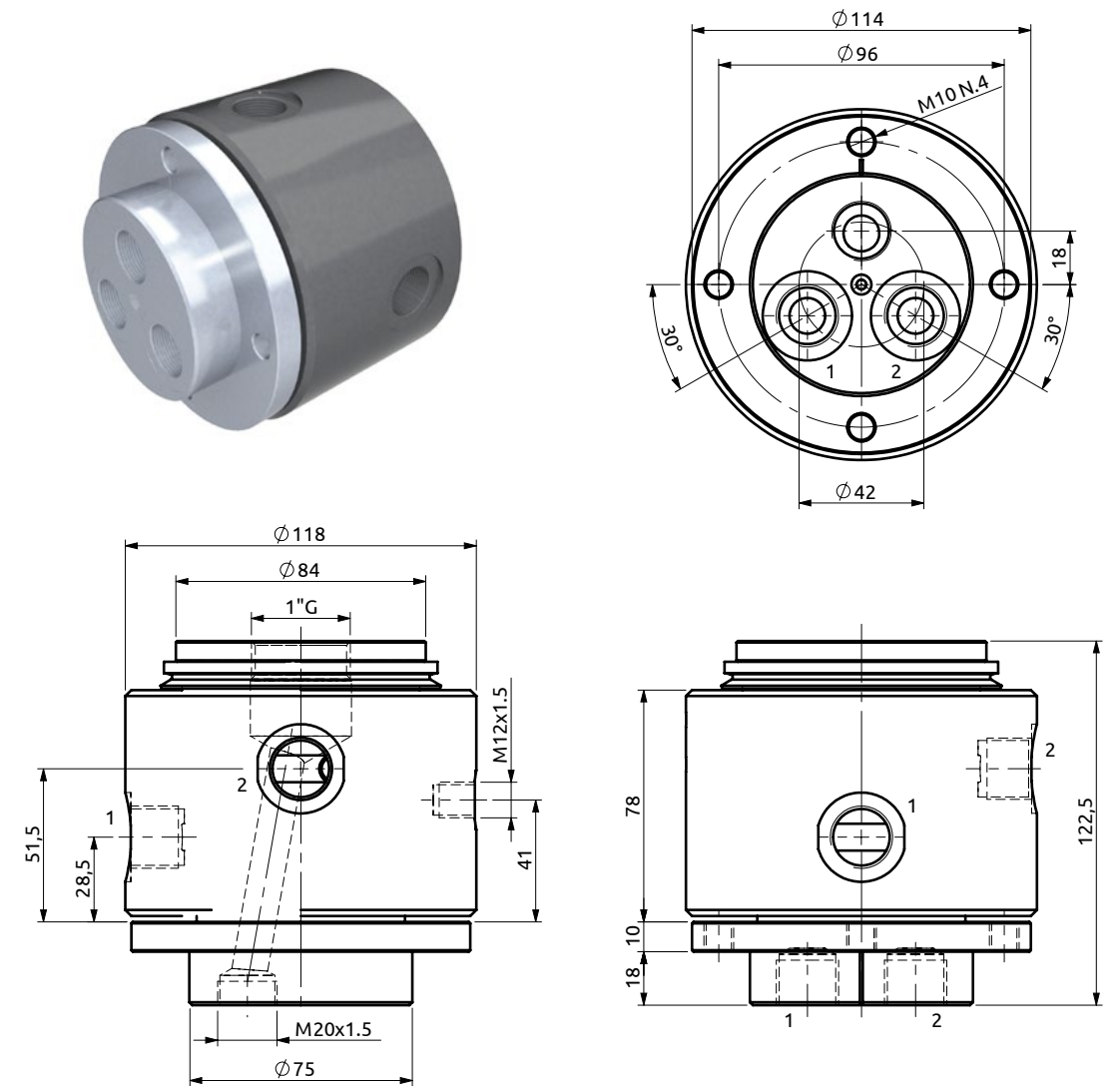
POS.	Statore Stator	Rotore Rotor	DN (mm)	Pressione max a 12RPM (bar) Max pressure at 12RPM (bar)	Fluido Fluid
1	3/8"G	3/8"G	10	300	Hydraulic Oil
2	3/8"G	3/8"G	10	300	Hydraulic Oil



POS.	Statore Stator	Rotore Rotor	DN (mm)	Pressione max a 12RPM (bar) Max pressure at 12RPM (bar)	Fluido Fluid
1	3/8"G	3/8"G	10	420	Hydraulic Oil
2	3/8"G	3/8"G	10	420	Hydraulic Oil



POS.	Statore Stator	Rotore Rotor	DN (mm)	Pressione max a 12RPM (bar) Max pressure at 12RPM (bar)	Fluido Fluid
1	3/8"G	3/8"G	10	420	Hydraulic Oil
2	3/8"G	3/8"G	10	420	Hydraulic Oil

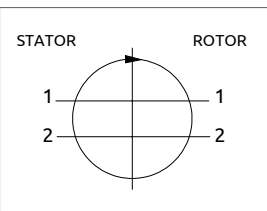
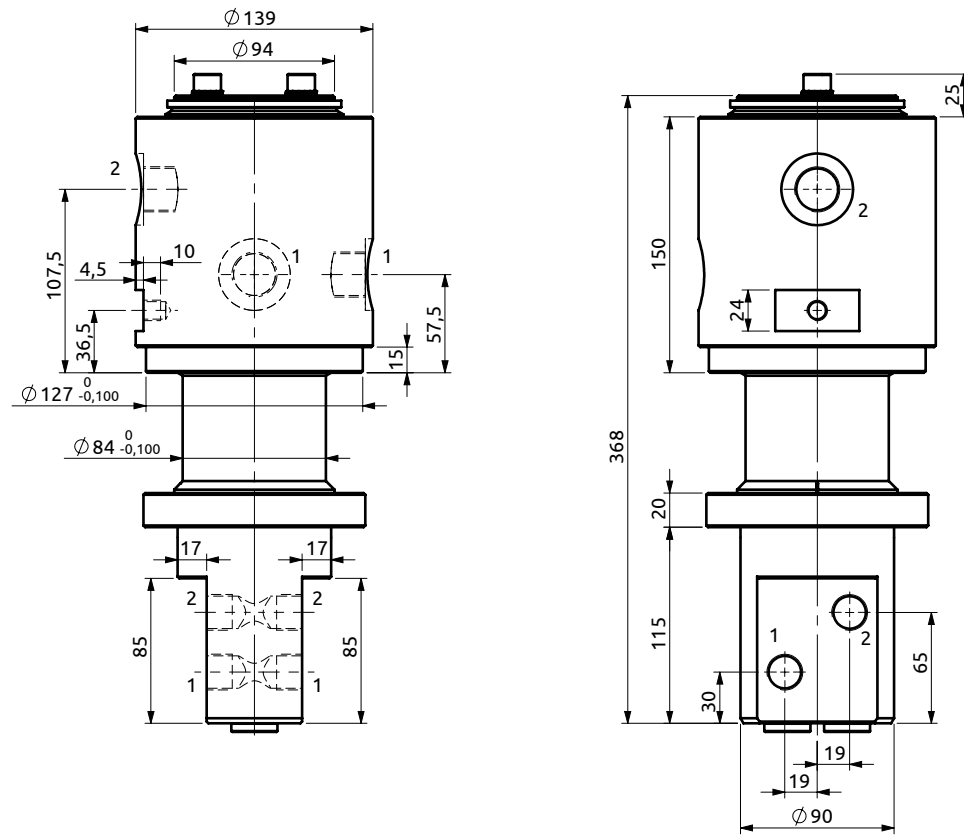


POS.	Statore Stator	Rotore Rotor	DN (mm)	Pressione max a 12RPM (bar) Max pressure at 12RPM (bar)	Fluido Fluid
1	1/2"G	1/2"G	12	420	Hydraulic Oil
2	1/2"G	1/2"G	12	420	Hydraulic Oil



Distributore rotante 02 vie
Swivel joint 02 ways

Item code
D075020500

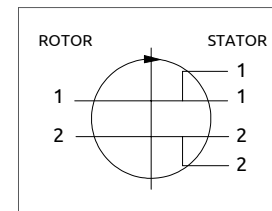
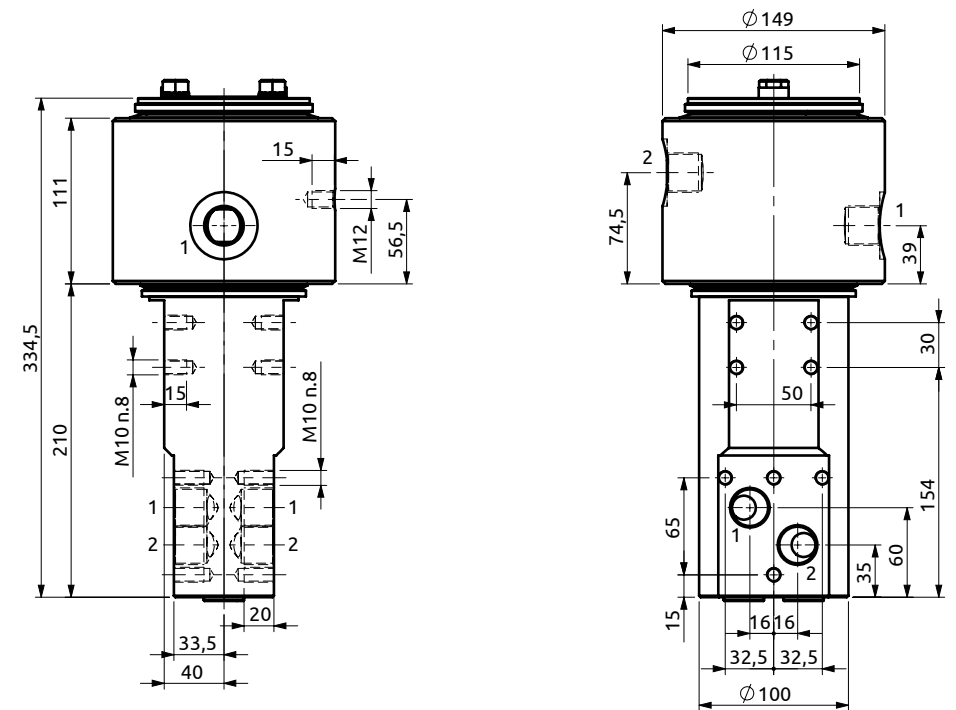


POS.	Statore Stator	Rotore Rotor	DN (mm)	Pressione max a 12RPM (bar) Max pressure at 12RPM (bar)	Fluido Fluid
1	n.2 1/2"G	n.2 3/4"G	19	420	Hydraulic Oil
2	n.2 1/2"G	3/4"G	19	420	Hydraulic Oil

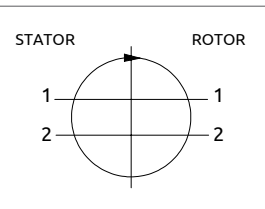
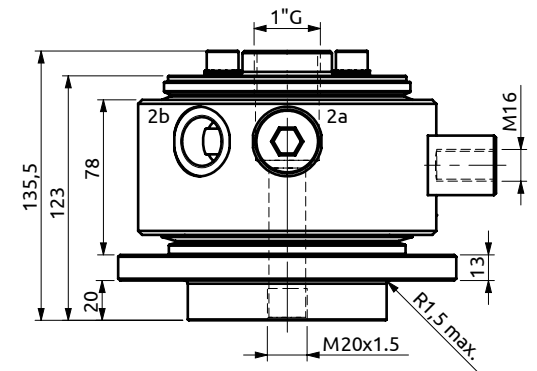
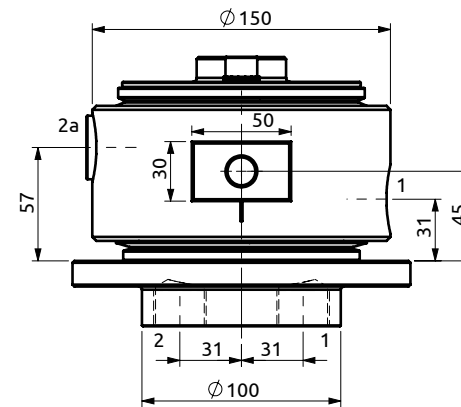
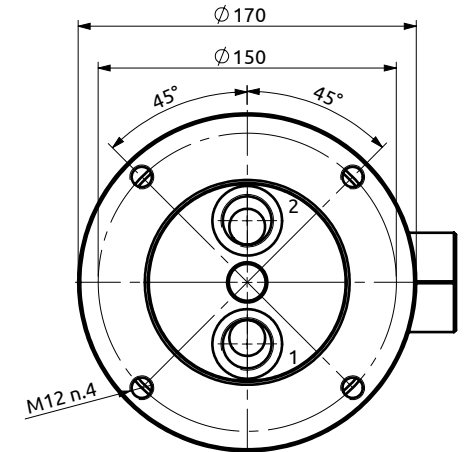
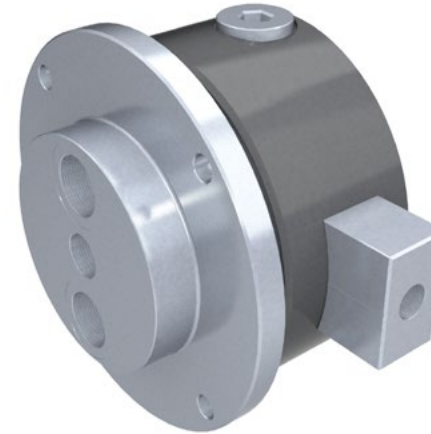
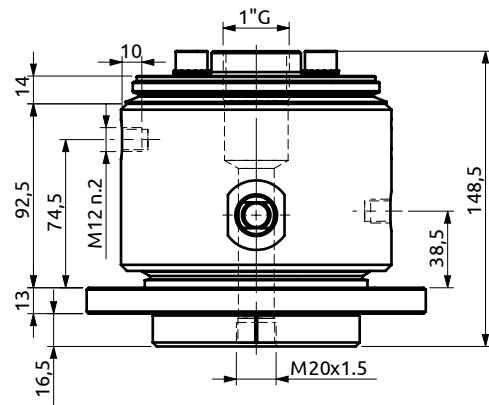
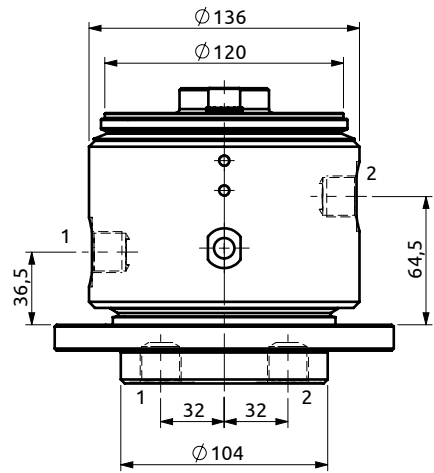
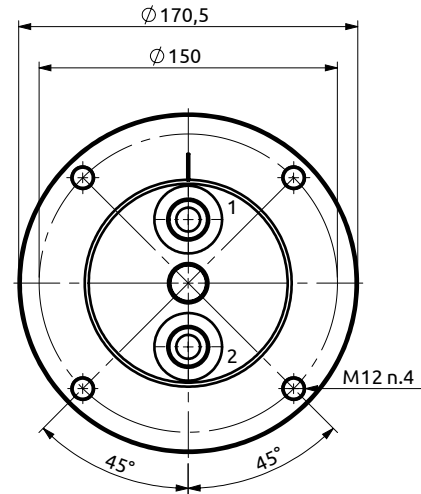


Distributore rotante 02 vie
Swivel joint 02 ways

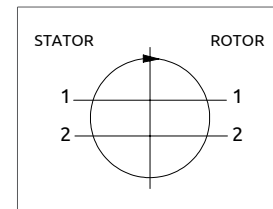
Item code
D085020200



POS.	Statore Stator	Rotore Rotor	DN (mm)	Pressione max a 12RPM (bar) Max pressure at 12RPM (bar)	Fluido Fluid
1	3/4"G n.2	3/4"G	16	420	Hydraulic Oil
2	3/4"G n.2	3/4"G	16	420	Hydraulic Oil



POS.	Statore Stator	Rotore Rotor	DN (mm)	Pressione max a 12RPM (bar) Max pressure at 12RPM (bar)	Fluido Fluid
1	1/2" G	1/2" G	12	300	Hydraulic Oil
2	1/2" G	1/2" G	12	300	Hydraulic Oil



POS.	Statore Stator	Rotore Rotor	DN (mm)	Pressione max a 12RPM (bar) Max pressure at 12RPM (bar)	Fluido Fluid
1	3/4" G	3/4" G	18	420	Hydraulic Oil
2	3/4" G	3/4" G	18	420	Hydraulic Oil



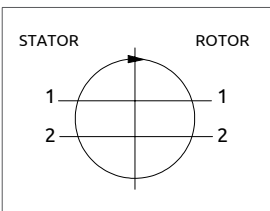
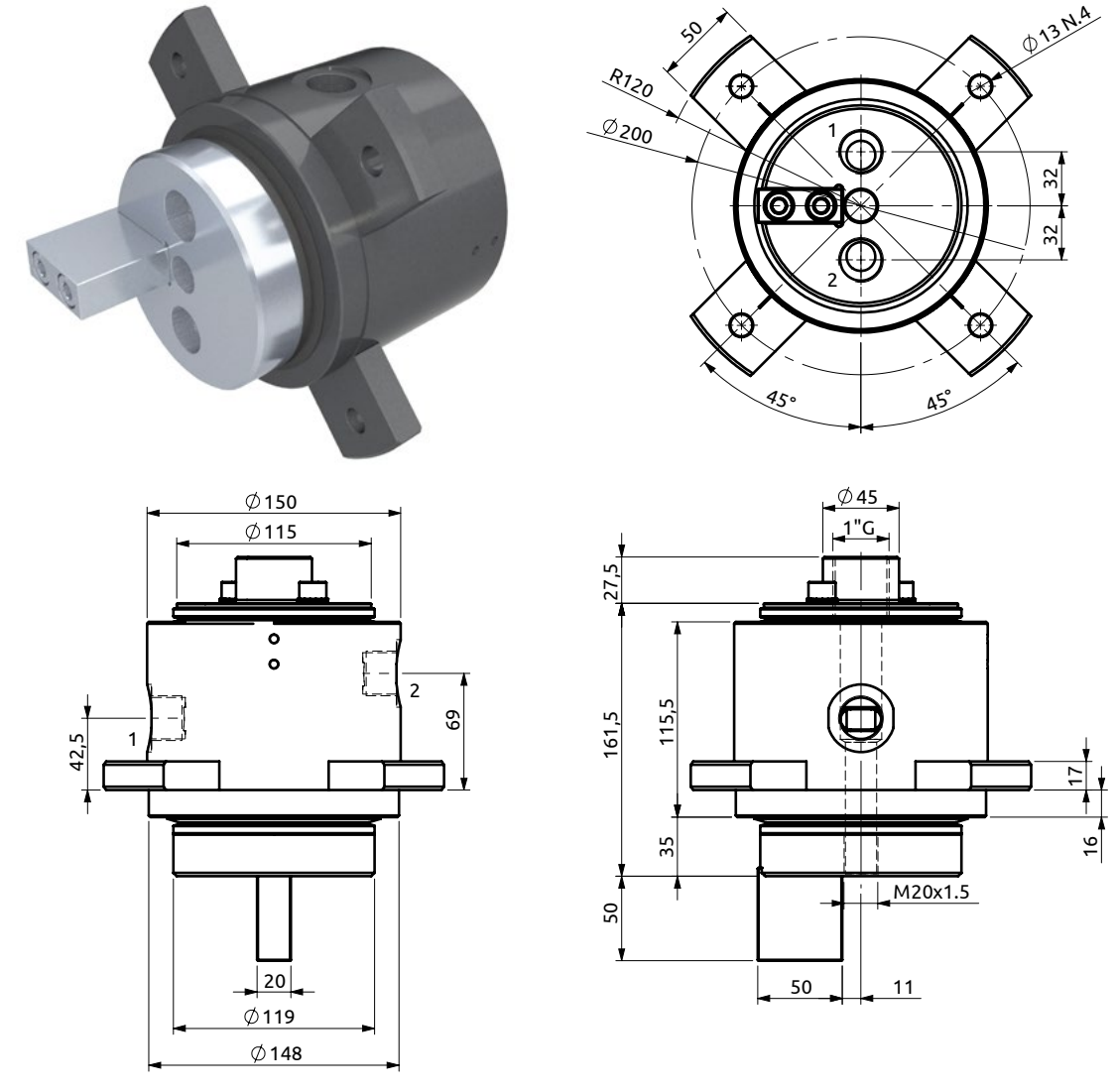
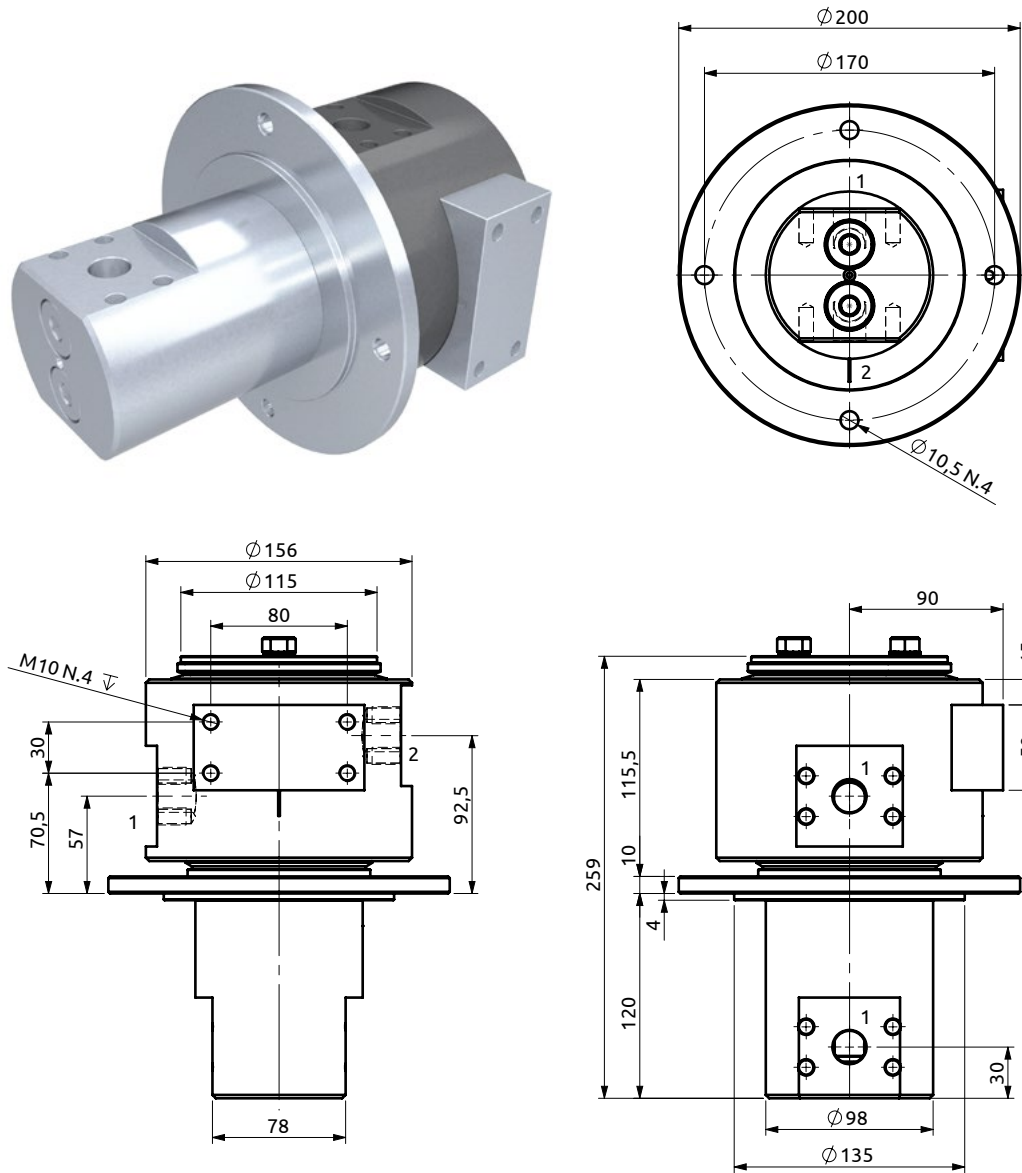
Distributore rotante 02 vie
Swivel joint 02 ways

Item code
D085020600

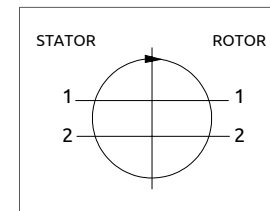


Distributore rotante 02 vie
Swivel joint 02 ways

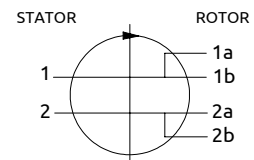
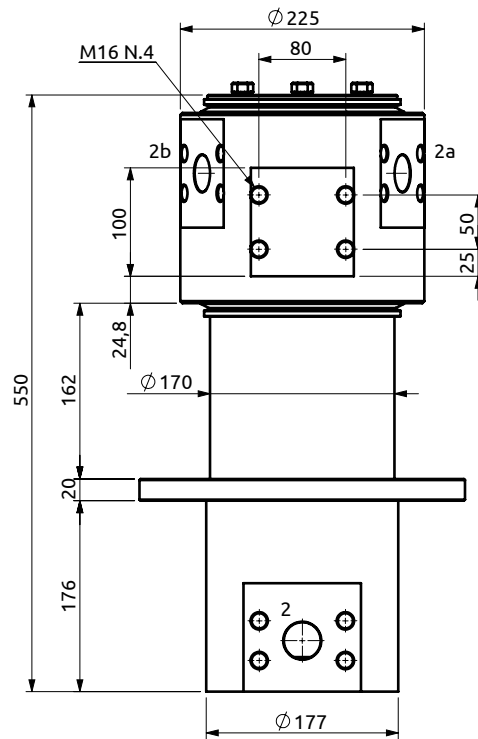
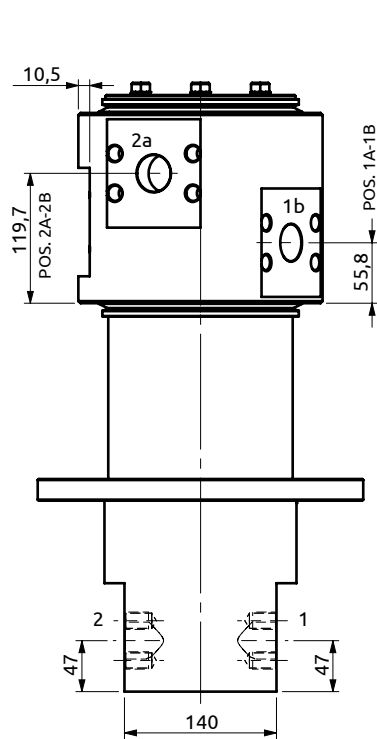
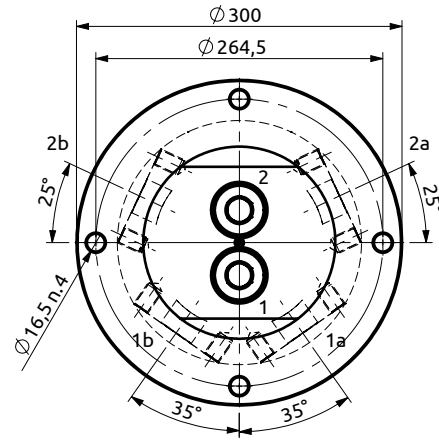
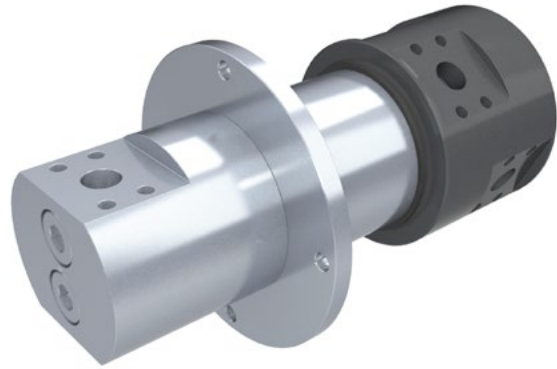
Item code
D085020800



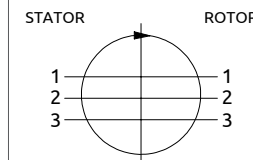
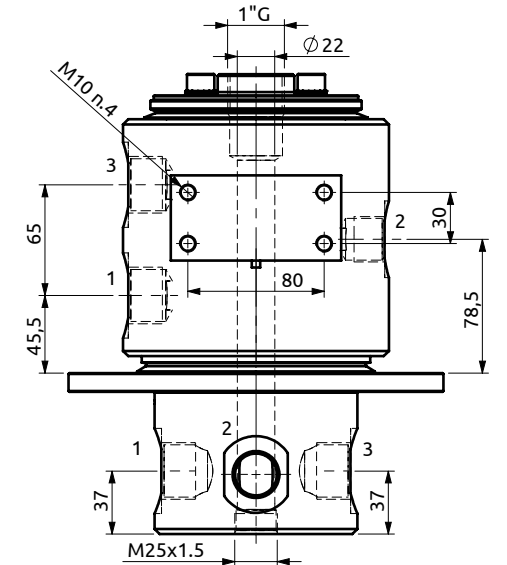
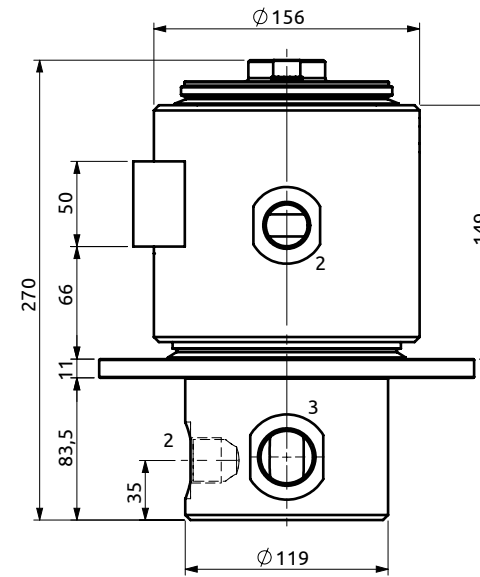
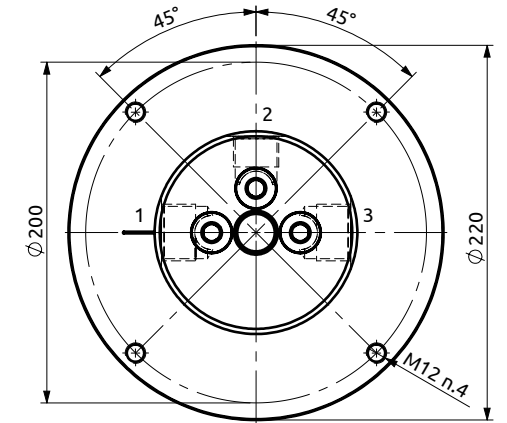
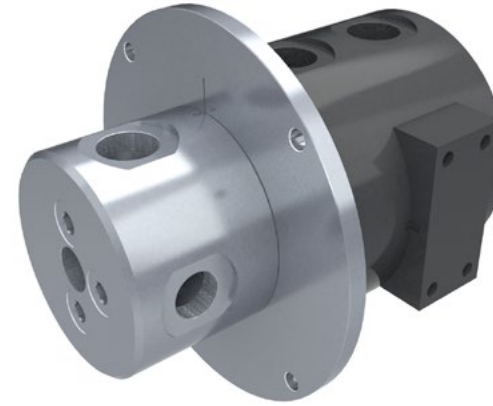
POS.	Statore Stator	Rotore Rotor	DN (mm)	Pressione max a 12RPM (bar) Max pressure at 12RPM (bar)	Fluido Fluid
1	3/4" SAE 6000	3/4" SAE 6000	18	420	Hydraulic Oil
2	3/4" SAE 6000	3/4" SAE 6000	18	420	Hydraulic Oil



POS.	Statore Stator	Rotore Rotor	DN (mm)	Pressione max a 12RPM (bar) Max pressure at 12RPM (bar)	Fluido Fluid
1	3/4" G	3/4" G	17	420	Hydraulic Oil
2	3/4" G	3/4" G	17	420	Hydraulic Oil



POS.	Statore Stator	Rotore Rotor	DN (mm)	Pressione max a 12RPM (bar) Max pressure at 12RPM (bar)	Fluido Fluid
1	1.1/2" SAE6000	n.2 1.1/2" SAE6000	35	300	Hydraulic Oil
2	1.1/2" SAE6000	n.2 1.1/2" SAE6000	35	300	Hydraulic Oil



POS.	Statore Stator	Rotore Rotor	DN (mm)	Pressione max a 12RPM (bar) Max pressure at 12RPM (bar)	Fluido Fluid
1	1"G	1"G	20	300	Hydraulic Oil
2	3/4"G	3/4"G	20	300	Hydraulic Oil
3	1"G	1"G	20	300	Hydraulic Oil



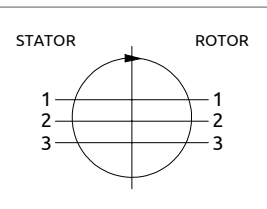
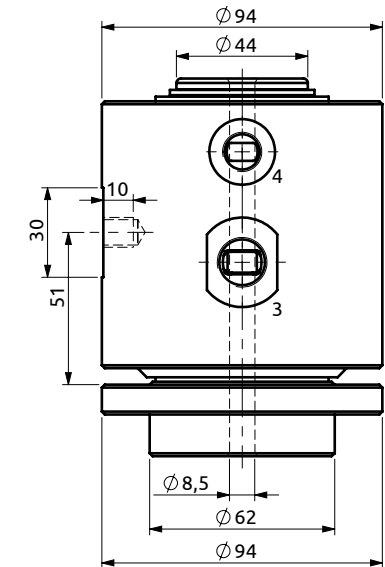
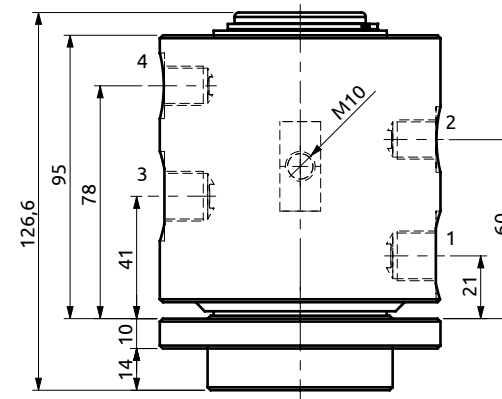
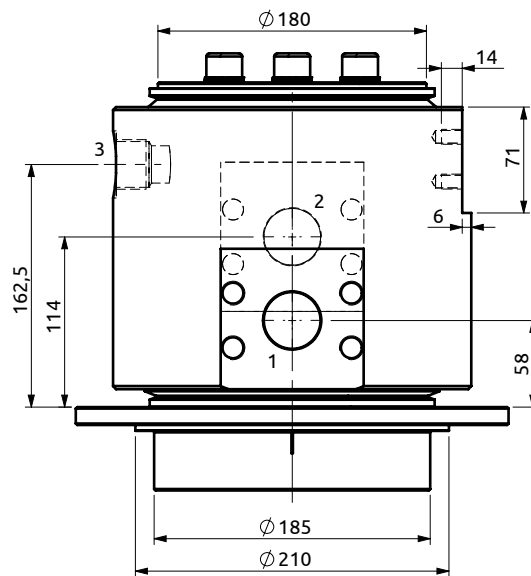
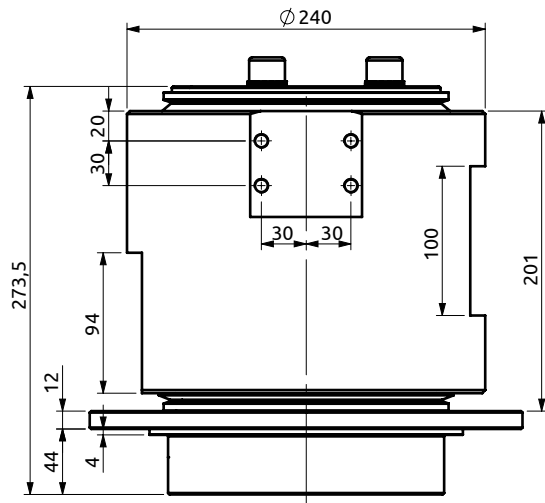
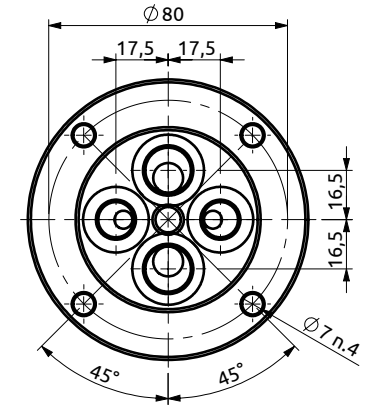
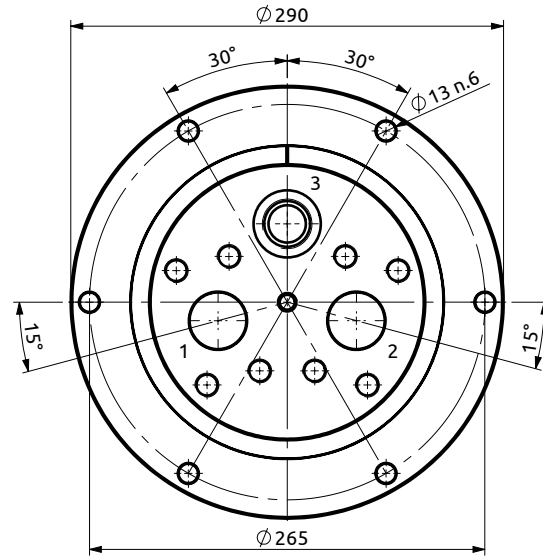
Distributore rotante 03 vie
Swivel joint 03 ways

Item code
D145030200

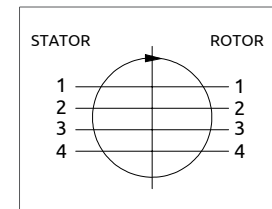


Distributore rotante 04 vie
Swivel joint 04 ways

Item code
D045040100



POS.	Statore Stator	Rotore Rotor	DN (mm)	Pressione max a 12RPM (bar) Max pressure at 12RPM (bar)	Fluido Fluid
1	1.1/2" SAE6000	1.1/2" SAE6000	38	420	Hydraulic Oil
2	1.1/2" SAE6000	1.1/2" SAE6000	38	420	Hydraulic Oil
3	1"G	1"G	25	420	Hydraulic Oil

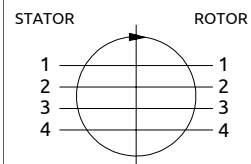
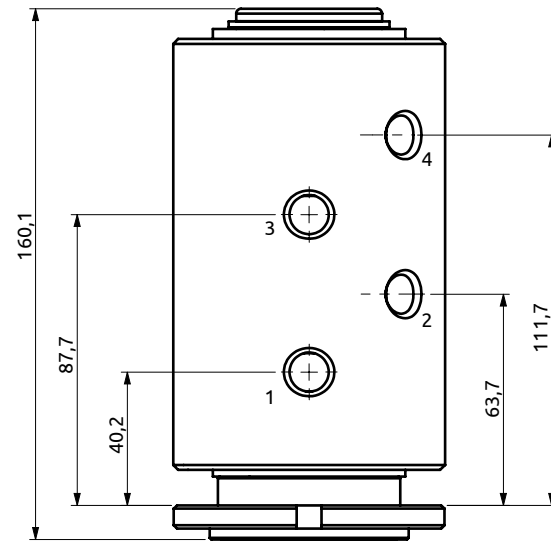
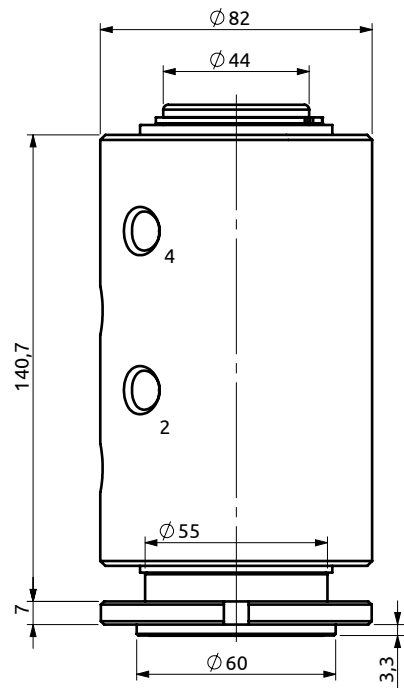
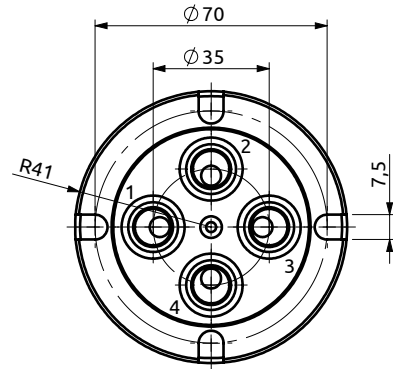


POS.	Statore Stator	Rotore Rotor	DN (mm)	Pressione max a 12RPM (bar) Max pressure at 12RPM (bar)	Fluido Fluid
1	3/8"G	3/8"G	10	300	Hydraulic Oil
2	3/8"G	3/8"G	10	300	Hydraulic Oil
3	1/4"G	1/4"G	6	300	Hydraulic Oil
4	1/4"G	1/4"G	6	300	Hydraulic Oil



Distributore rotante 04 vie
Swivel joint 04 ways

Item code
D045040200

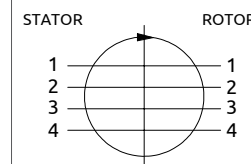
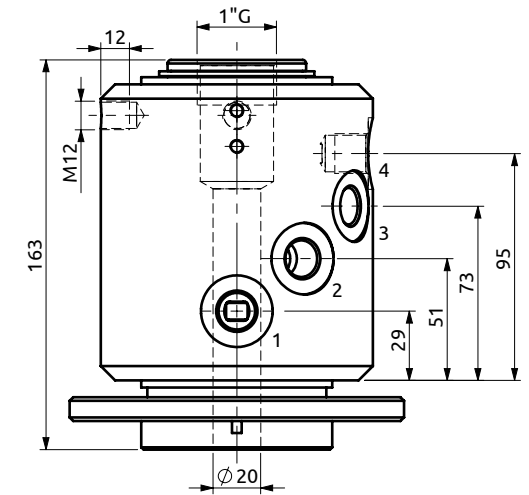
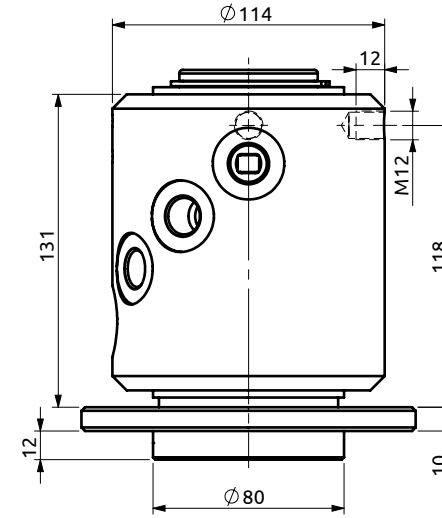
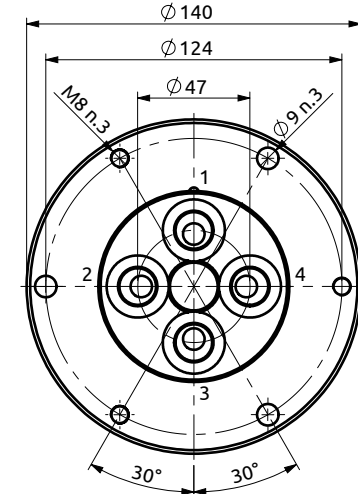


POS.	Statore Stator	Rotore Rotor	DN (mm)	Pressione max a 12RPM (bar) Max pressure at 12RPM (bar)	Fluido Fluid
1	1/4" NPT	1/4" NPT	6	300	Hydraulic Oil
2	1/4" NPT	1/4" NPT	6	300	Hydraulic Oil
3	1/4" NPT	1/4" NPT	6	300	Hydraulic Oil
4	1/4" NPT	1/4" NPT	6	300	Hydraulic Oil



Distributore rotante 04 vie
Swivel joint 04 ways

Item code
D060040000

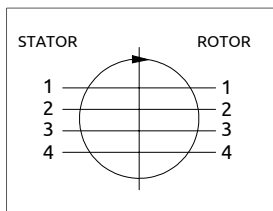
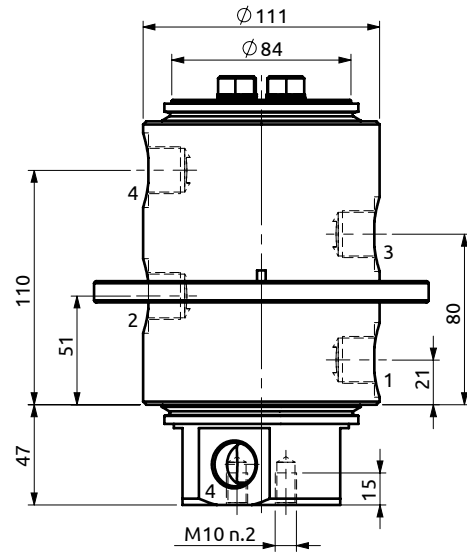
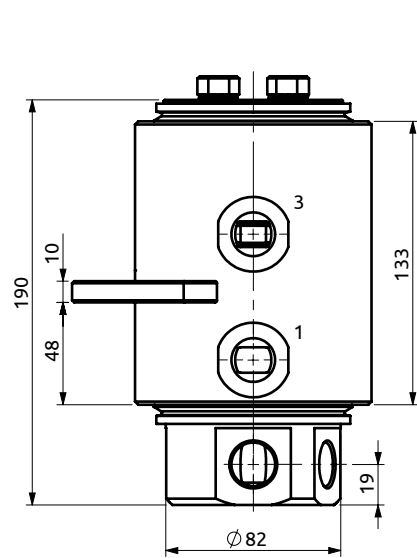
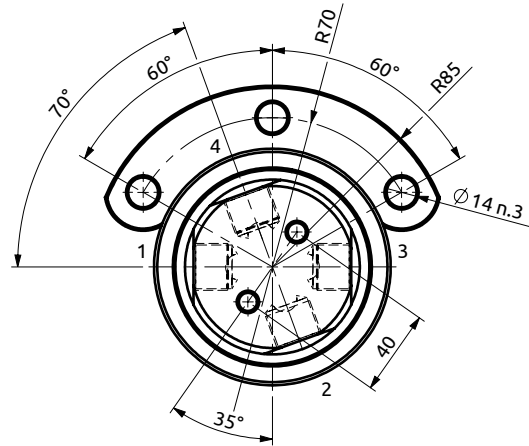


POS.	Statore Stator	Rotore Rotor	DN (mm)	Pressione max a 12RPM (bar) Max pressure at 12RPM (bar)	Fluido Fluid
1	3/8" G	3/8" G	9	420	Hydraulic Oil
2	3/8" G	3/8" G	9	420	Hydraulic Oil
3	3/8" G	3/8" G	9	420	Hydraulic Oil
4	3/8" G	3/8" G	9	420	Hydraulic Oil



Distributore rotante 04 vie
Swivel joint 04 ways

Item code
D060040100

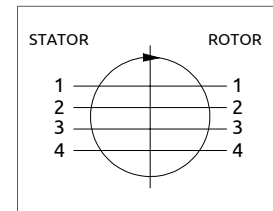
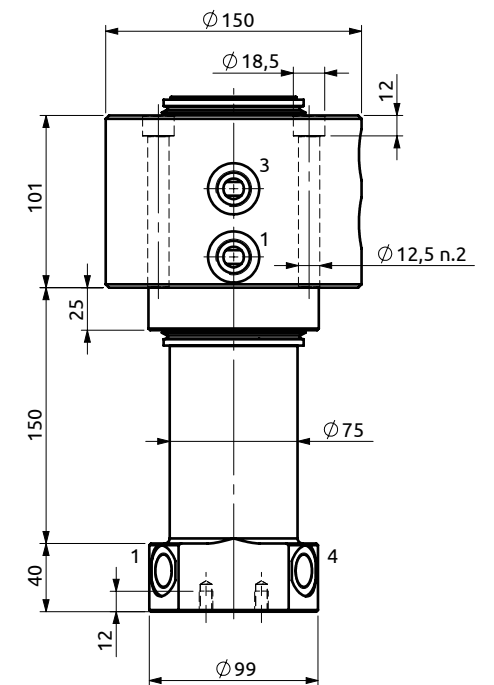
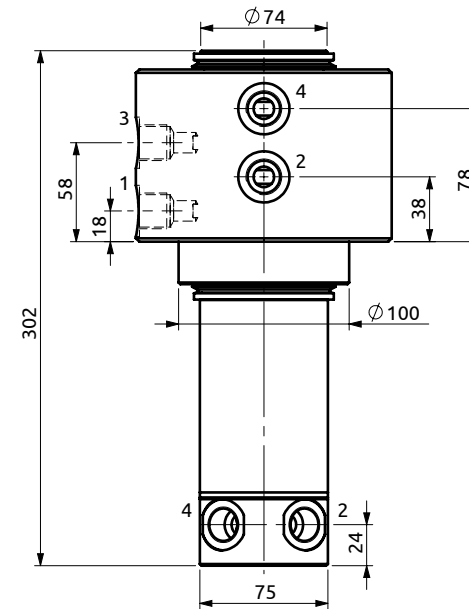
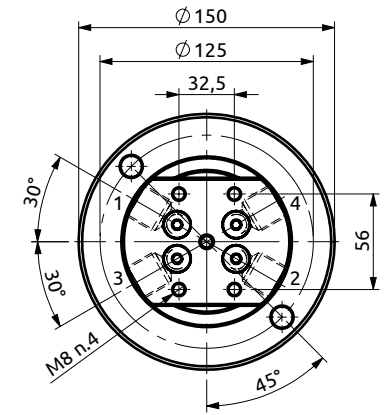


POS.	Statore Stator	Rotore Rotor	DN (mm)	Pressione max a 12RPM (bar) Max pressure at 12RPM (bar)	Fluido Fluid
1	M22x1.5	M22x1.5	12	300	Hydraulic Oil
2	M22x1.5	M22x1.5	12	300	Hydraulic Oil
3	M22x1.5	M22x1.5	12	300	Hydraulic Oil
4	M22x1.5	M22x1.5	12	300	Hydraulic Oil



Distributore rotante 04 vie
Swivel joint 04 ways

Item code
D060040300



POS.	Statore Stator	Rotore Rotor	DN (mm)	Pressione max a 12RPM (bar) Max pressure at 12RPM (bar)	Fluido Fluid
1	1/2"G	1/2"G	12	420	Hydraulic Oil
2	1/2"G	1/2"G	12	420	Hydraulic Oil
3	1/2"G	1/2"G	12	420	Hydraulic Oil
4	1/2"G	1/2"G	12	420	Hydraulic Oil



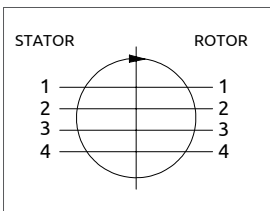
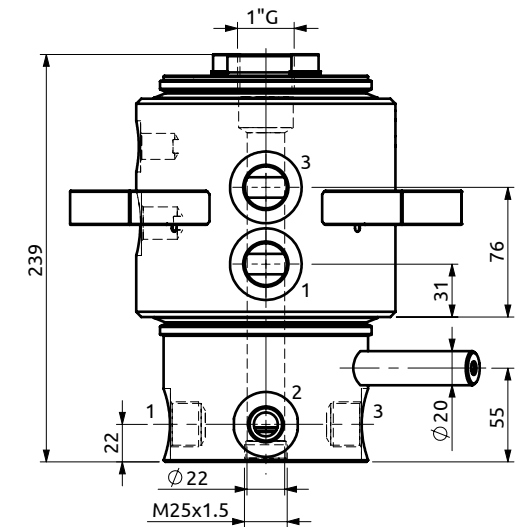
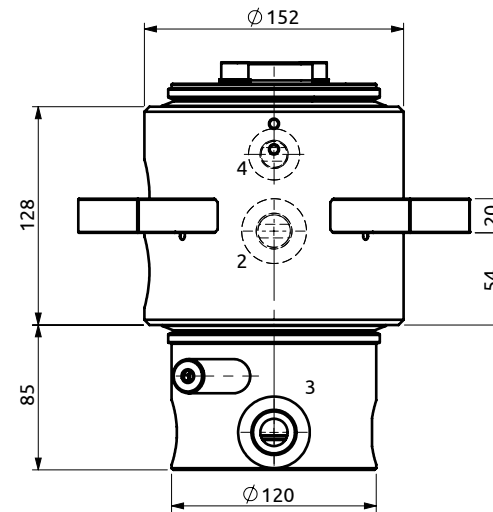
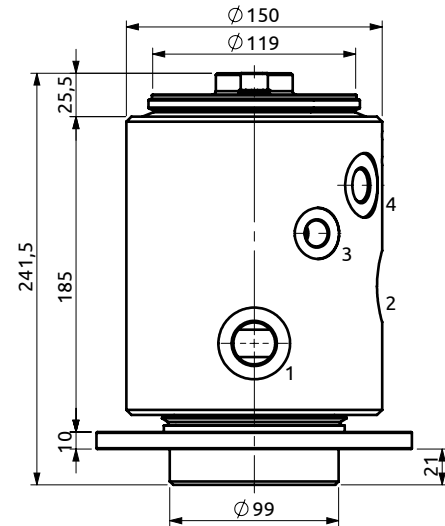
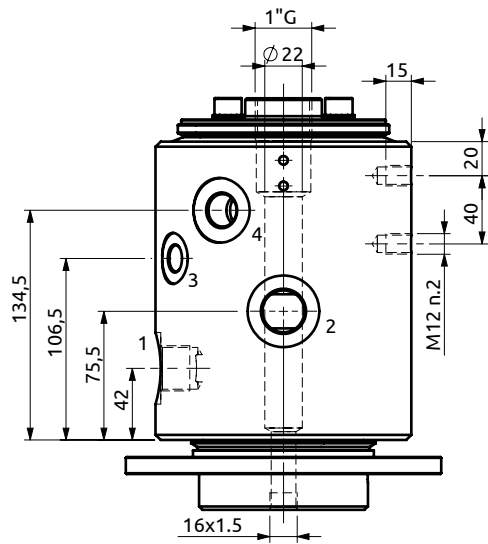
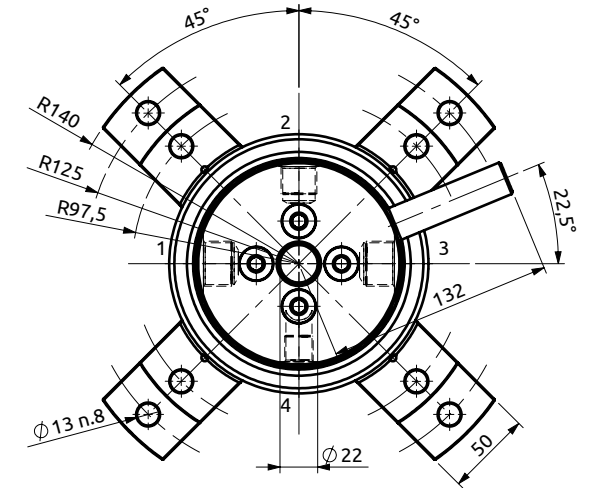
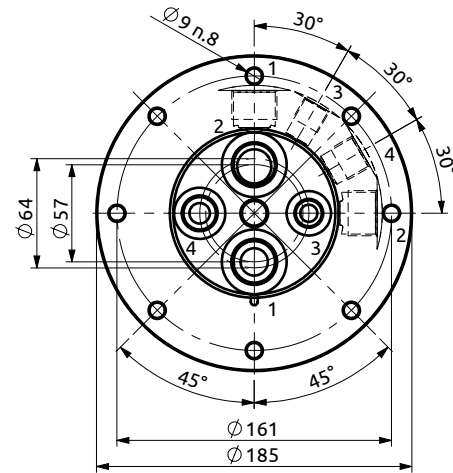
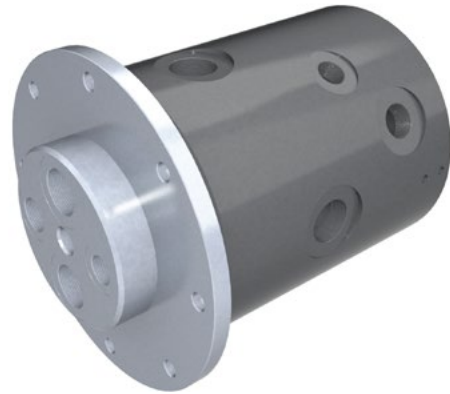
Distributore rotante 04 vie
Swivel joint 04 ways

Item code
D085040200

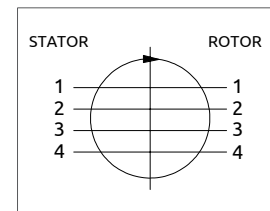


Distributore rotante 04 vie
Swivel joint 04 ways

Item code
D085040400



POS.	Statore Stator	Rotore Rotor	DN (mm)	Pressione max a 12RPM (bar) Max pressure at 12RPM (bar)	Fluido Fluid
1	3/4"G	3/4"G	16	300	Hydraulic Oil
2	3/4"G	3/4"G	20	300	Hydraulic Oil
3	3/8"G	3/8"G	10	300	Hydraulic Oil
4	1/2"G	1/2"G	12	300	Hydraulic Oil

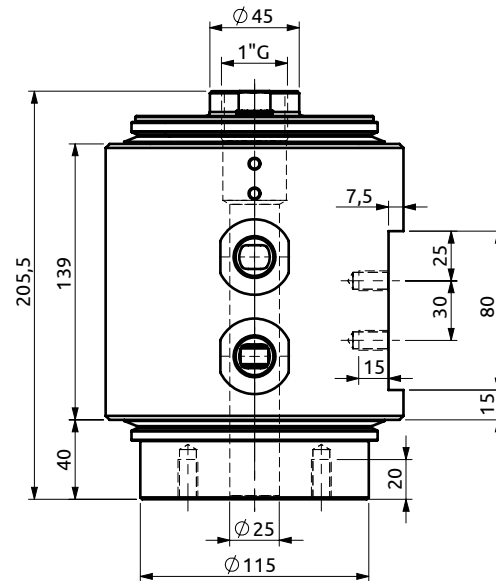
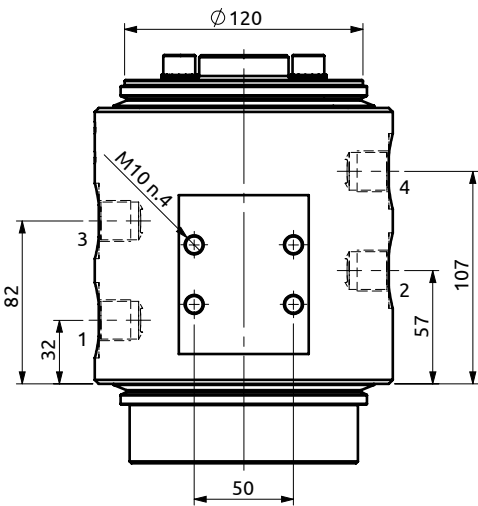
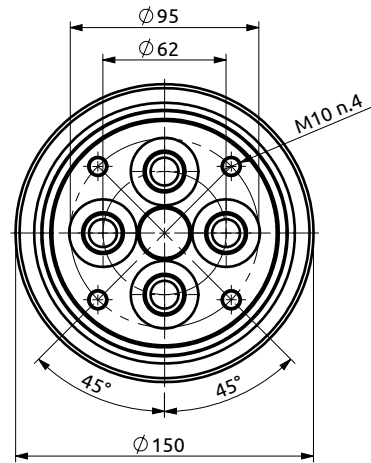


POS.	Statore Stator	Rotore Rotor	DN (mm)	Pressione max a 12RPM (bar) Max pressure at 12RPM (bar)	Fluido Fluid
1	3/4"G	3/4"G	16	300	Hydraulic Oil
2	1/2"G	1/2"G	16	300	Hydraulic Oil
3	3/4"G	3/4"G	16	300	Hydraulic Oil
4	3/8"G	3/8"G	16	300	Hydraulic Oil



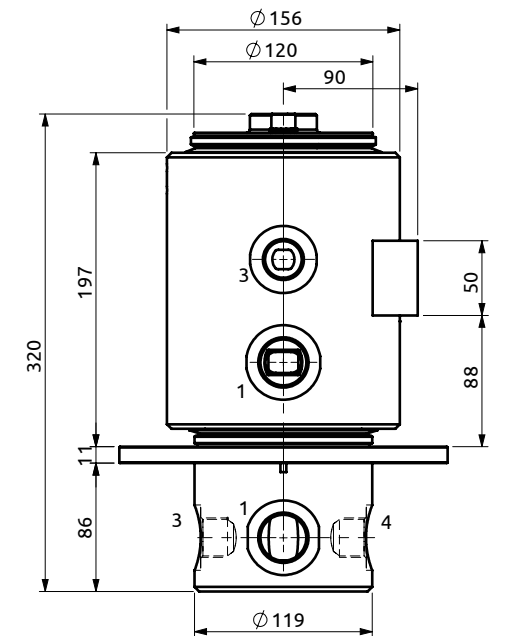
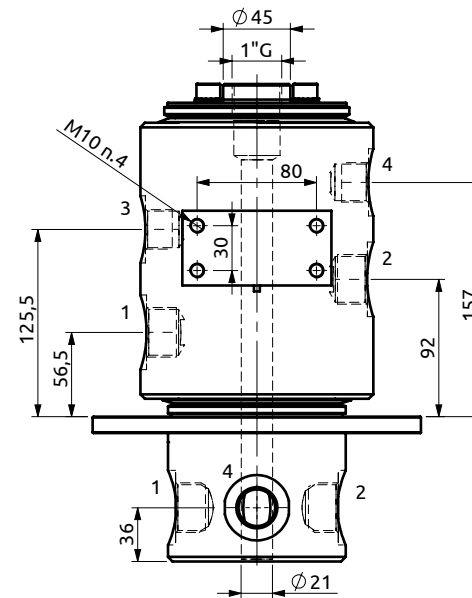
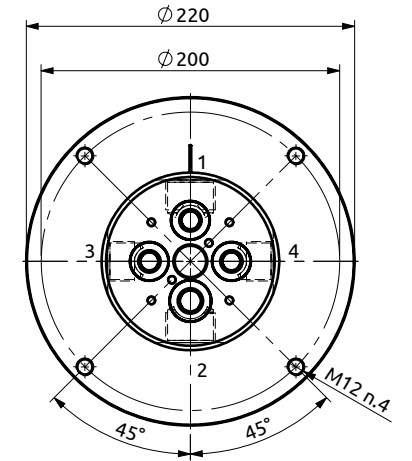
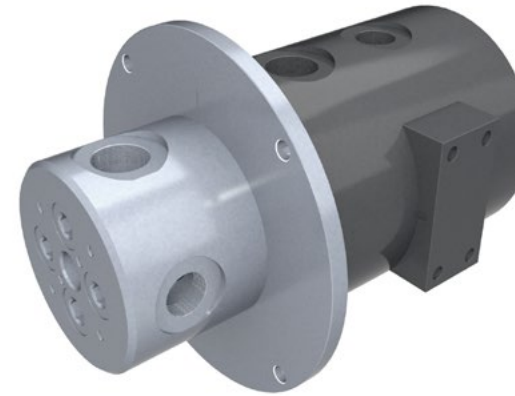
Distributore rotante 04 vie
Swivel joint 04 ways

Item code
D085040600

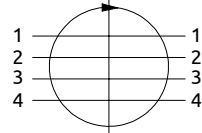


Distributore rotante 04 vie
Swivel joint 04 ways

Item code
D085040800



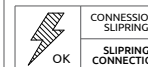
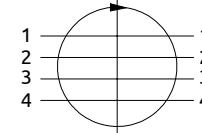
STATOR ROTOR



CONNESSIONE
SLIPRING
SLIPRING
CONNECTION

POS.	Statore Stator	Rotore Rotor	DN (mm)	Pressione max a 12RPM (bar) Max pressure at 12RPM (bar)	Fluido Fluid
1	1/2" G	1/2" G	14	300	Hydraulic Oil
2	1/2" G	1/2" G	14	300	Hydraulic Oil
3	1/2" G	1/2" G	14	300	Hydraulic Oil
4	1/2" G	1/2" G	14	300	Hydraulic Oil

STATOR ROTOR



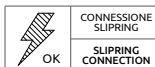
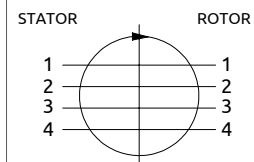
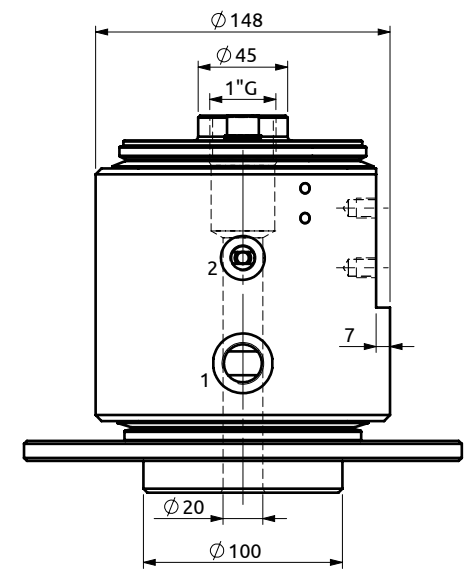
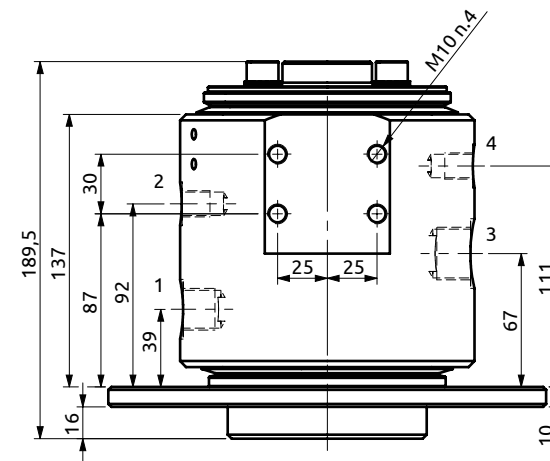
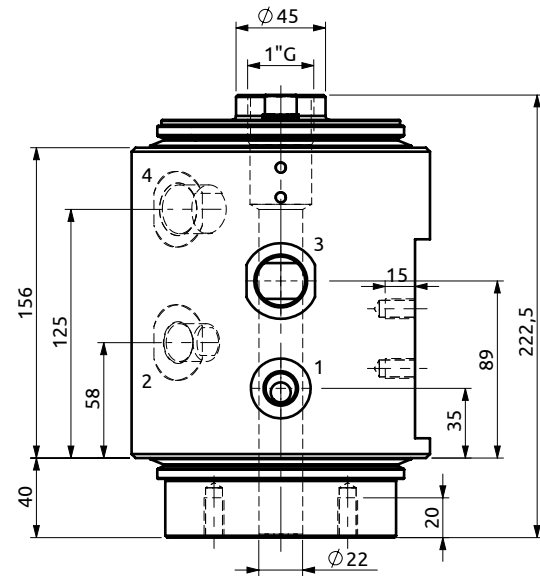
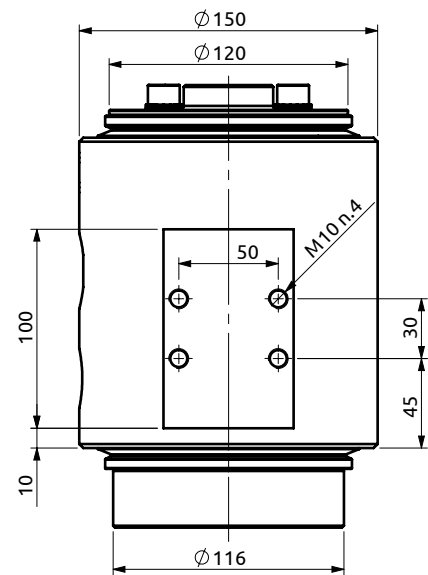
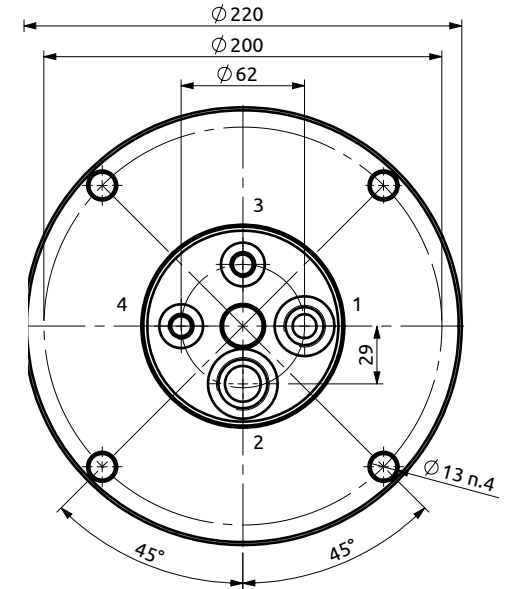
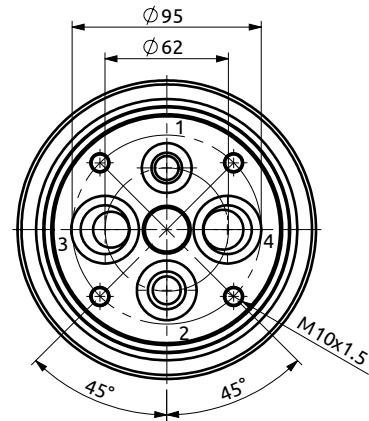
CONNESSIONE
SLIPRING
SLIPRING
CONNECTION

POS.	Statore Stator	Rotore Rotor	DN (mm)	Pressione max a 12RPM (bar) Max pressure at 12RPM (bar)	Fluido Fluid
1	1" G	1" G	20	300	Hydraulic Oil
2	1" G	1" G	24	300	Hydraulic Oil
3	3/4" G	3/4" G	20	300	Hydraulic Oil
4	3/4" G	3/4" G	20	300	Hydraulic Oil

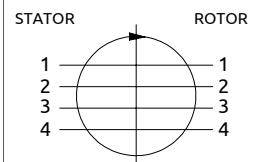


Distributore rotante 04 vie
Swivel joint 04 ways

Item code
D085041100



POS.	Statore Stator	Rotore Rotor	DN (mm)	Pressione max a 12RPM (bar) Max pressure at 12RPM (bar)	Fluido Fluid
1	3/8" G	3/8" G	10	420	Hydraulic Oil
2	1/2" G	1/2" G	14	420	Hydraulic Oil
3	3/4" G	3/4" G	18	420	Hydraulic Oil
4	3/4" G	3/4" G	18	420	Hydraulic Oil



POS.	Statore Stator	Rotore Rotor	DN (mm)	Pressione max a 12RPM (bar) Max pressure at 12RPM (bar)	Fluido Fluid
1	1/2" G	1/2" G	12	300	Hydraulic Oil
2	3/4" G	3/4" G	18	300	Hydraulic Oil
3	1/4" G	1/4" G	6	300	Hydraulic Oil
4	1/4" G	1/4" G	6	300	Hydraulic Oil



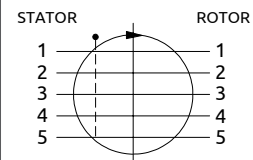
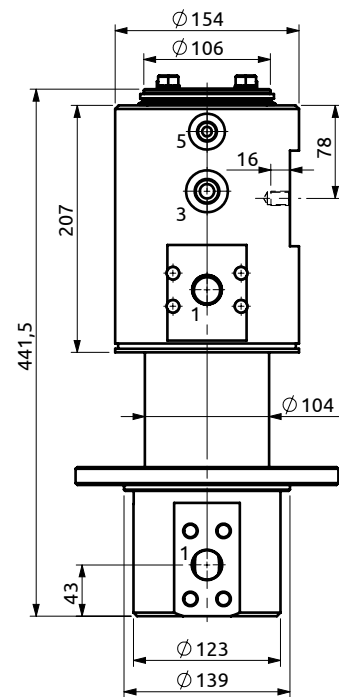
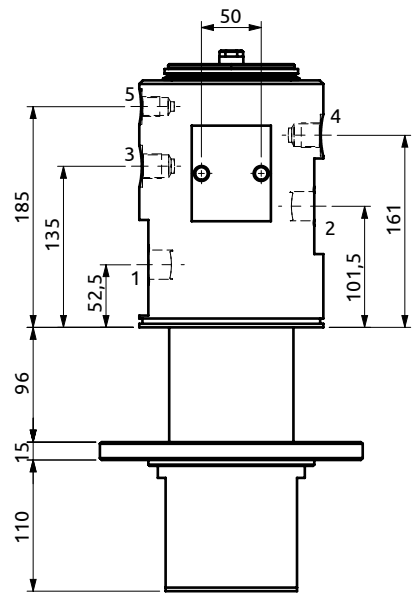
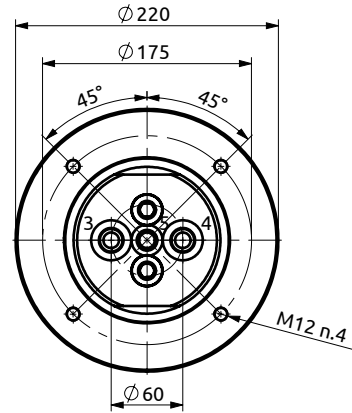
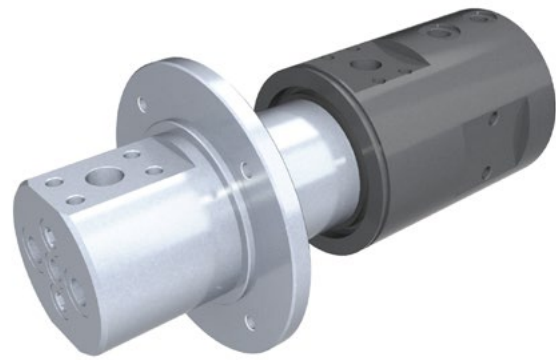
Distributore rotante 04 vie
Swivel joint 04 ways

Item code
D085041900



Distributore rotante 05 vie
Swivel joint 05 ways

Item code
D085050600

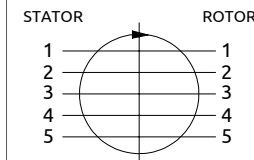
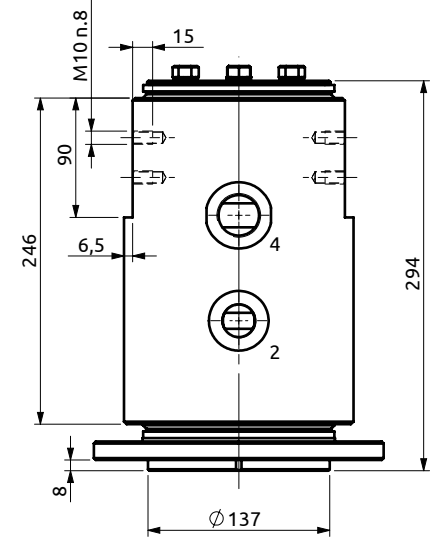
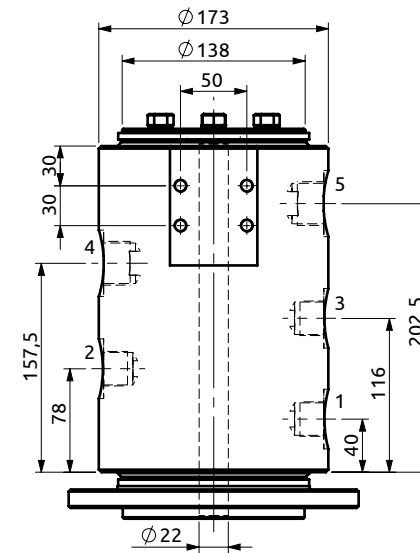
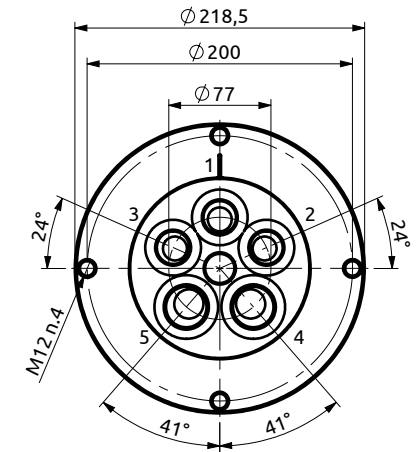
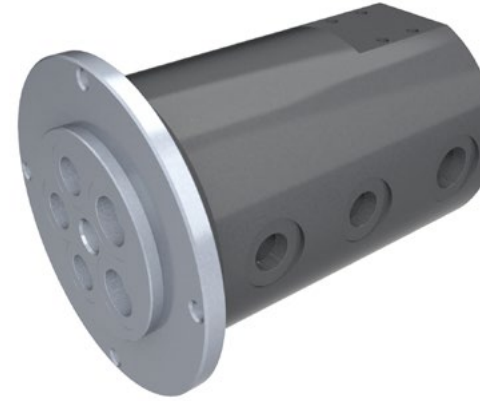


POS.	Statore Stator	Rotore Rotor	DN (mm)	Pressione max a 12RPM (bar) Max pressure at 12RPM (bar)	Fluido Fluid
1	1" SAE 6000	1" SAE 6000	22	300	Hydraulic Oil
2	1" SAE 6000	1" SAE 6000	22	300	Hydraulic Oil
3	1/2"G	1/2"G	13	300	Hydraulic Oil
4	1/2"G	1/2"G	13	300	Hydraulic Oil
5	3/8"G	3/8"G	13	30	Hydraulic Oil

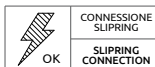
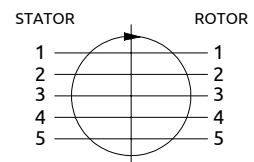
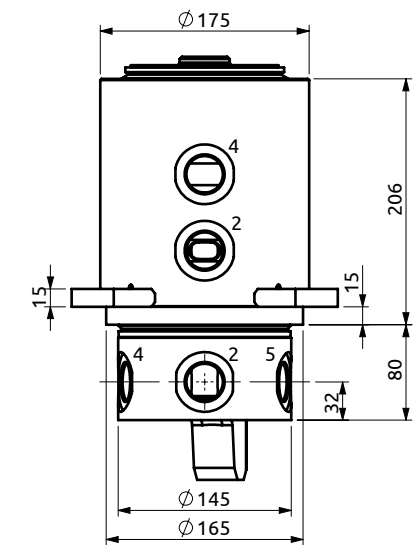
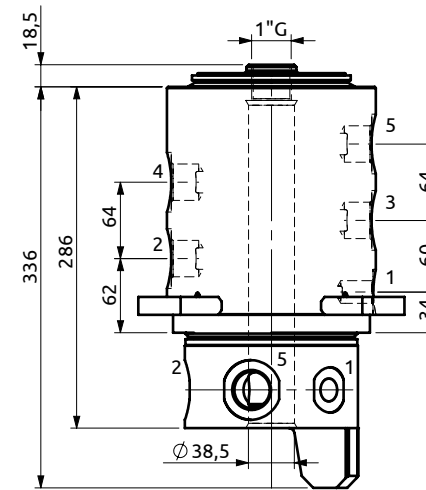
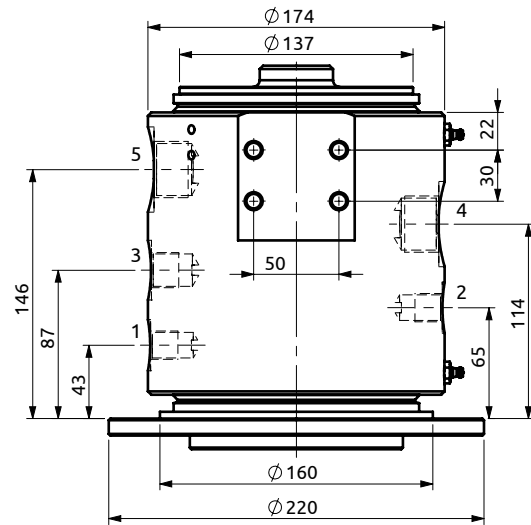
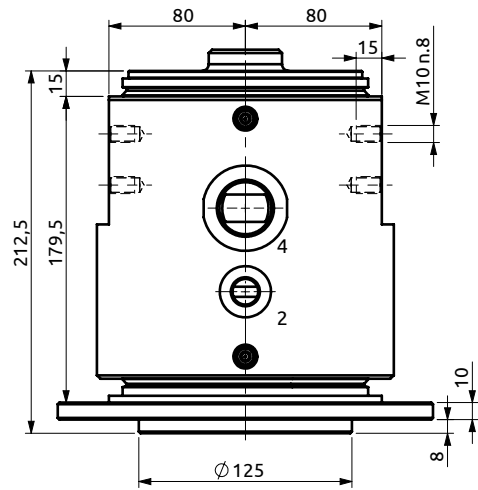
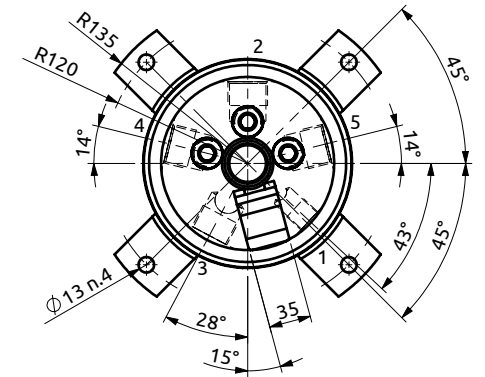
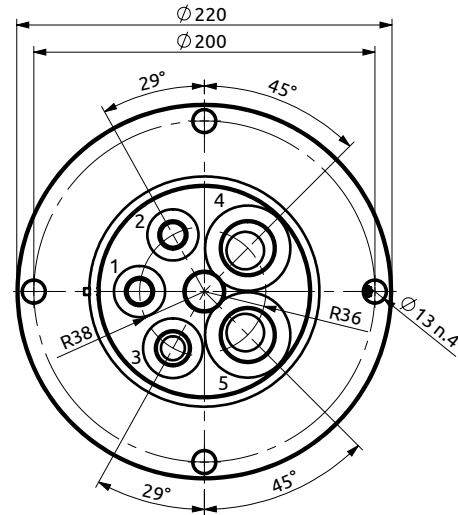
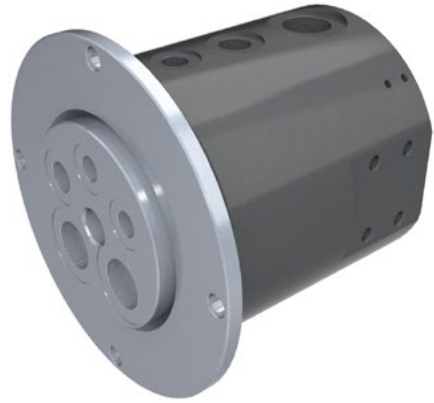


Distributore rotante 05 vie
Swivel joint 05 ways

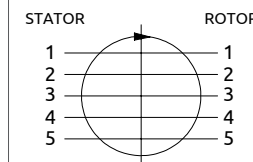
Item code
D100050100



POS.	Statore Stator	Rotore Rotor	DN (mm)	Pressione max a 12RPM (bar) Max pressure at 12RPM (bar)	Fluido Fluid
1	3/4"G	3/4"G	18	420	Hydraulic Oil
2	3/4"G	3/4"G	18	420	Hydraulic Oil
3	3/4"G	3/4"G	18	420	Hydraulic Oil
4	1"G	1"G	22	420	Hydraulic Oil
5	1"G	1"G	22	420	Hydraulic Oil



POS.	Statore Stator	Rotore Rotor	DN (mm)	Pressione max a 12RPM (bar) Max pressure at 12RPM (bar)	Fluido Fluid
1	3/8"G	3/8"G	14	380	Hydraulic Oil
2	3/8"G	3/8"G	14	380	Hydraulic Oil
3	1/2"G	1/2"G	14	380	Hydraulic Oil
4	1"G	1"G	22	380	Hydraulic Oil
5	1"G	1"G	22	380	Hydraulic Oil

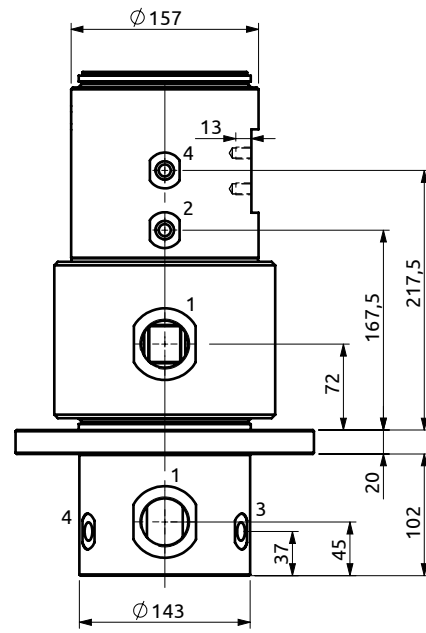
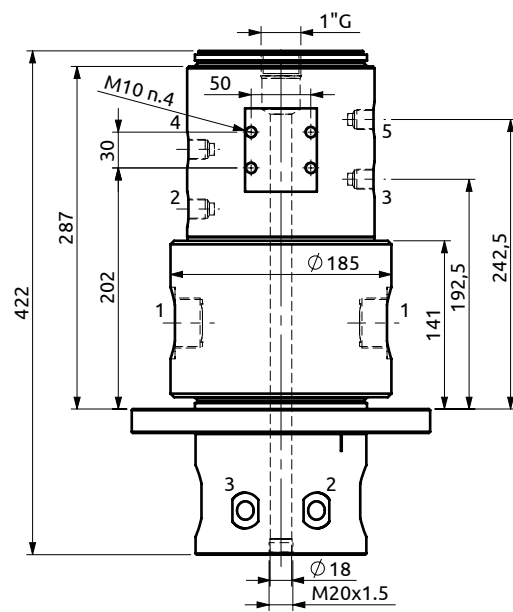
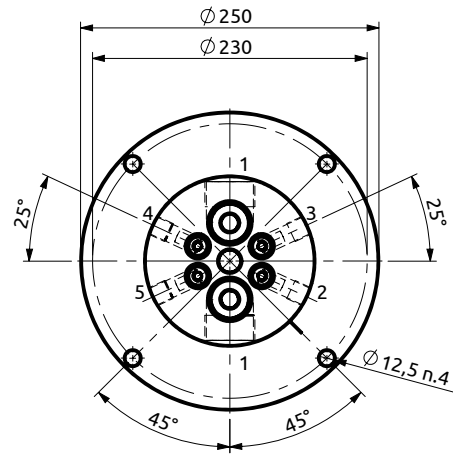


POS.	Statore Stator	Rotore Rotor	DN (mm)	Pressione max a 12RPM (bar) Max pressure at 12RPM (bar)	Fluido Fluid
1	1/2"G	1/2"G	14	400	Hydraulic Oil
2	1"G	1"G	22	400	Hydraulic Oil
3	1"G	1"G	22	400	Hydraulic Oil
4	1"G	1"G	22	400	Hydraulic Oil
5	1"G	1"G	22	400	Hydraulic Oil

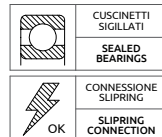
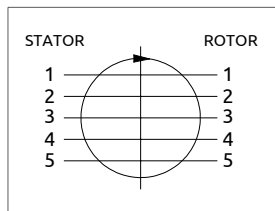


Distributore rotante 05 vie
Swivel joint 05 ways

Item code
D100050800



- stelo e camicia sono in acciaio inox
- rod and housing are in stainless steel

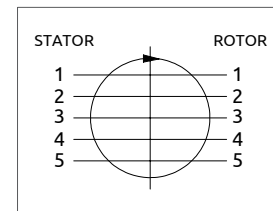
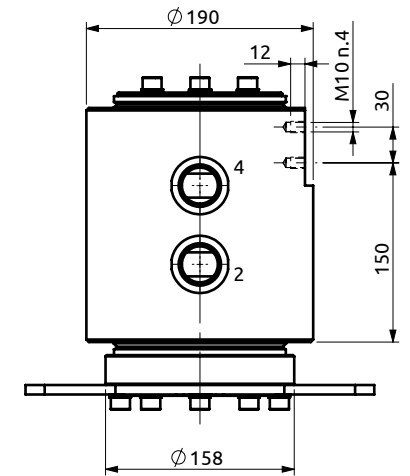
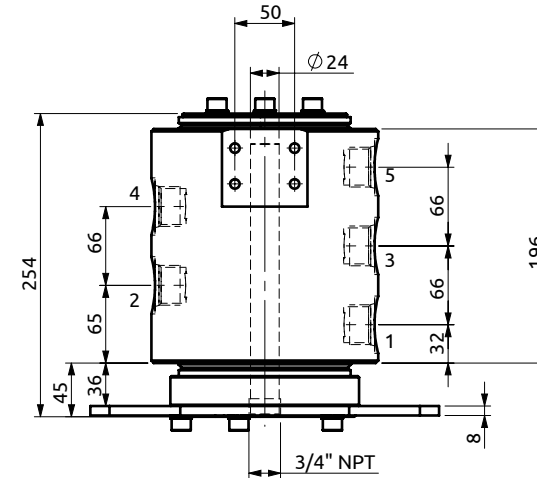
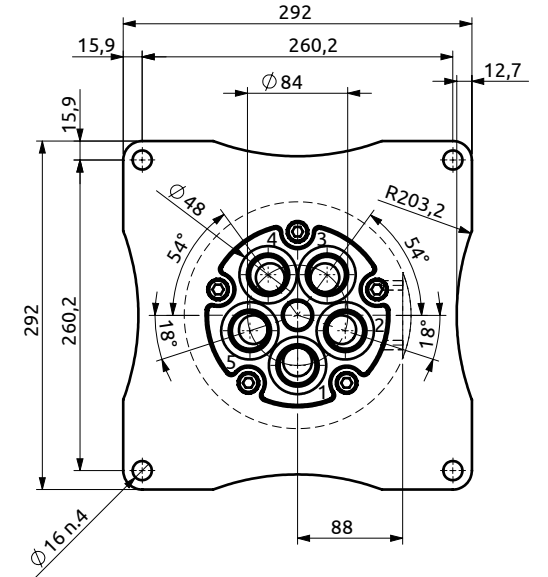


POS.	Statore Stator	Rotore Rotor	DN (mm)	Pressione max a 12RPM (bar) Max pressure at 12RPM (bar)	Fluido Fluid
1	1"1/4G (n.2)	1"1/4G (n.2)	30	300	Water
2	3/8"G	3/8"G	10	400	Hydraulic Oil
3	3/8"G	3/8"G	10	400	Hydraulic Oil
4	3/8"G	3/8"G	10	400	Hydraulic Oil
5	3/8"G	3/8"G	10	400	Hydraulic Oil



Distributore rotante 05 vie
Swivel joint 05 ways

Item code
D110050100

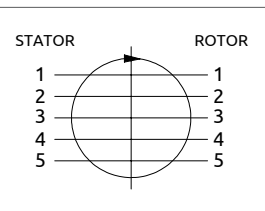
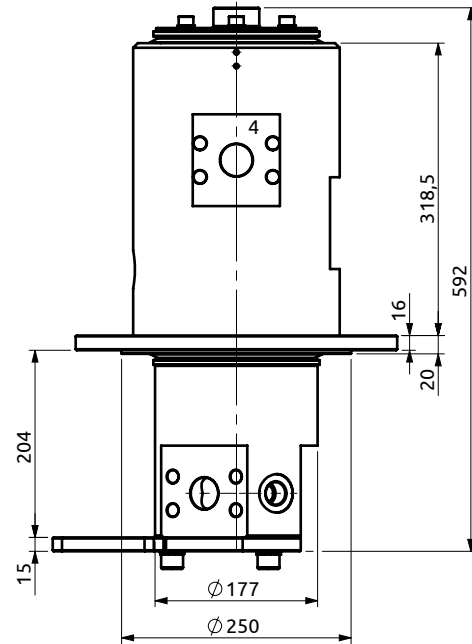
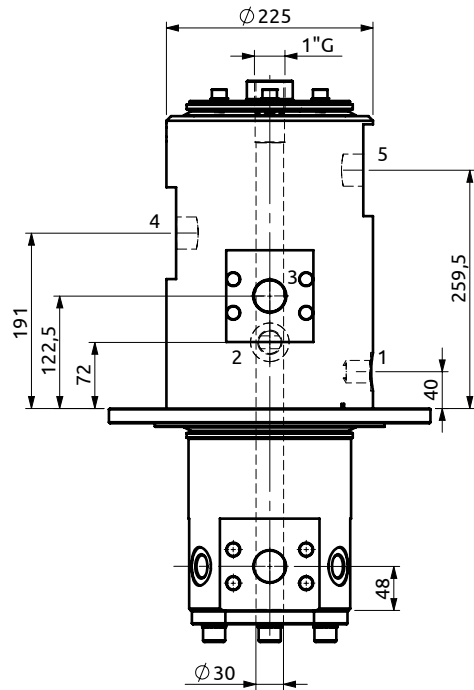
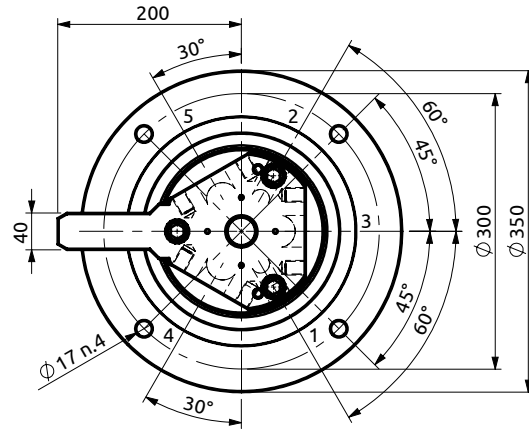
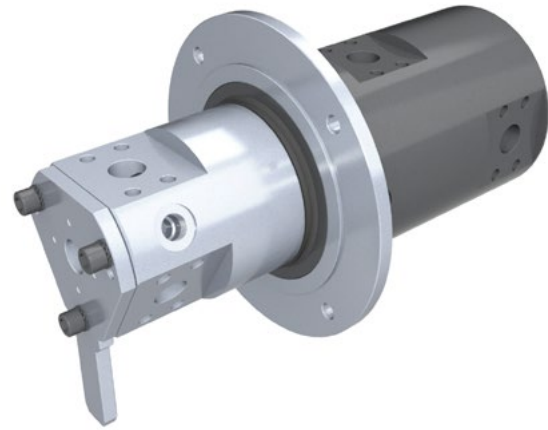


POS.	Statore Stator	Rotore Rotor	DN (mm)	Pressione max a 12RPM (bar) Max pressure at 12RPM (bar)	Fluido Fluid
1	1"5/16-12 UN	1"5/16-12 UN	20	300	Hydraulic Oil
2	1"5/16-12 UN	1"5/16-12 UN	10	300	Hydraulic Oil
3	1"5/16-12 UN	1"5/16-12 UN	10	300	Hydraulic Oil
4	1"5/16-12 UN	1"5/16-12 UN	10	300	Hydraulic Oil
5	1"5/16-12 UN	1"5/16-12 UN	10	300	Hydraulic Oil



Distributore rotante 05 vie
Swivel joint 05 ways

Item code
D140050100

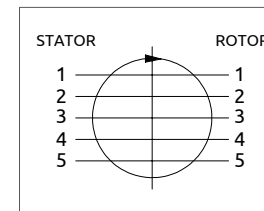
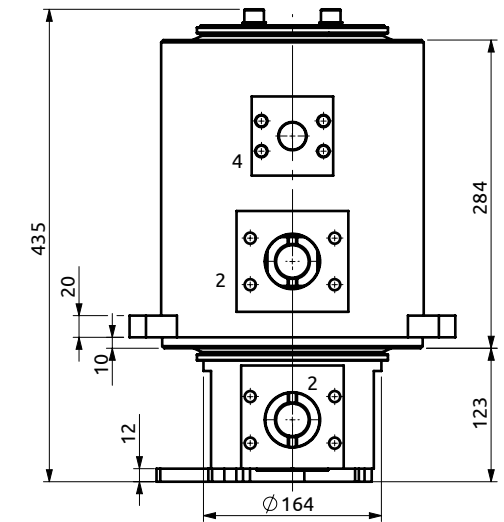
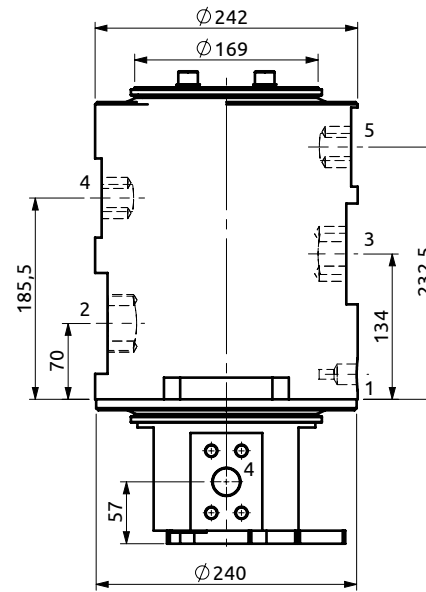
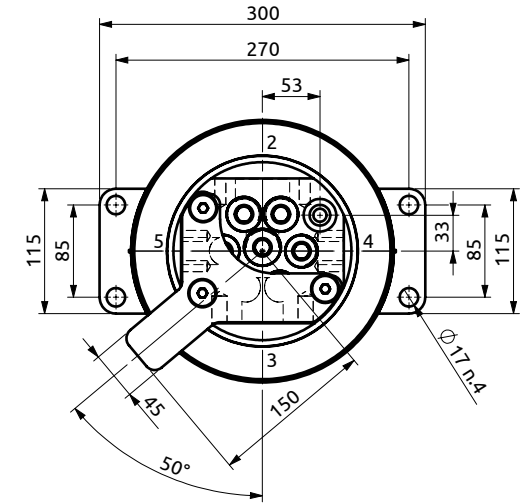


POS.	Statore Stator	Rotore Rotor	DN (mm)	Pressione max a 12RPM (bar) Max pressure at 12RPM (bar)	Fluido Fluid
1	3/4"G	3/4"G	20	300	Hydraulic Oil
2	3/4"G	3/4"G	20	300	Hydraulic Oil
3	1"1/2 SAE 6000	1"1/2 SAE 6000	35	300	Hydraulic Oil
4	1"1/2 SAE 6000	1"1/2 SAE 6000	35	300	Hydraulic Oil
5	1"1/2 SAE 6000	1"1/2 SAE 6000	35	300	Hydraulic Oil



Distributore rotante 05 vie
Swivel joint 05 ways

Item code
D145050100

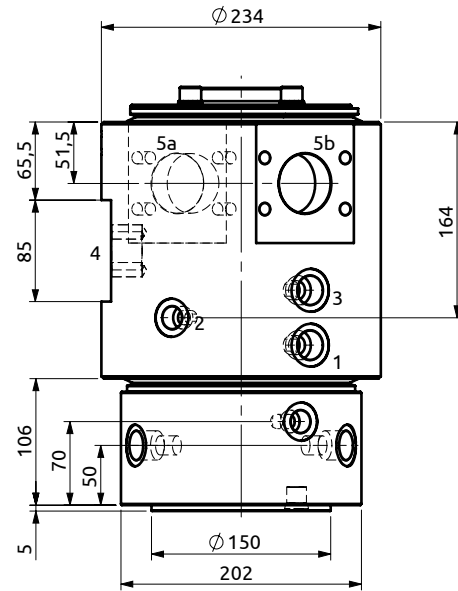
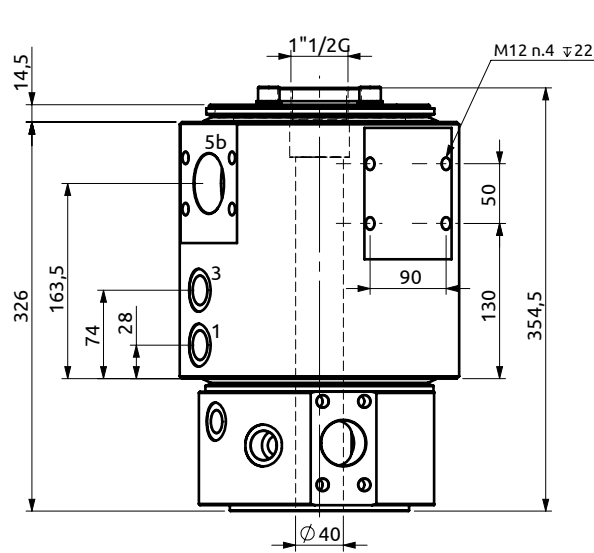
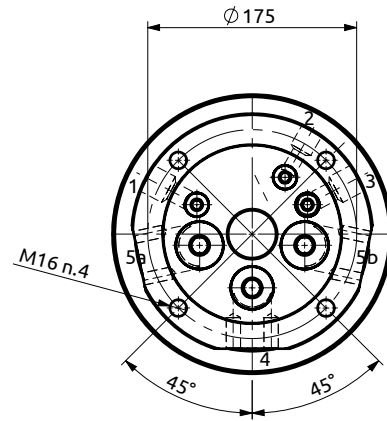


POS.	Statore Stator	Rotore Rotor	DN (mm)	Pressione max a 12RPM (bar) Max pressure at 12RPM (bar)	Fluido Fluid
1	1/2"G	1/2"G	12	350	Hydraulic Oil
2	2" SAE 3000	2" SAE 3000	50	350	Hydraulic Oil
3	1"1/2 SAE 6000	1"1/2 SAE 6000	38	350	Hydraulic Oil
4	1" SAE 6000	1" SAE 6000	25	350	Hydraulic Oil
5	1" SAE 6000	1" SAE 6000	25	350	Hydraulic Oil



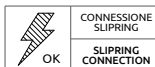
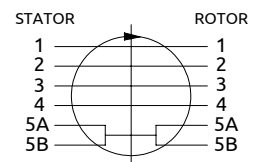
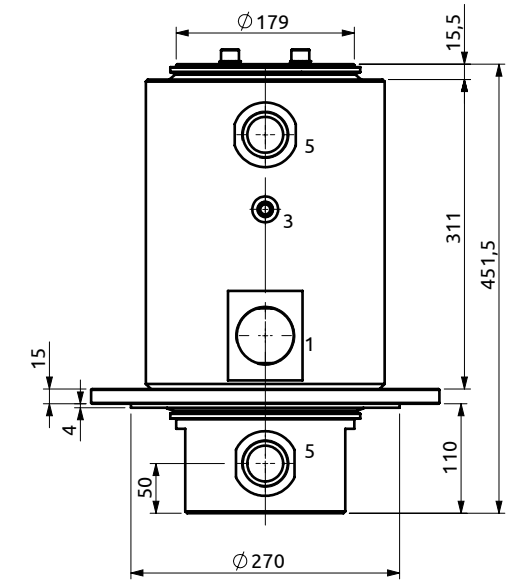
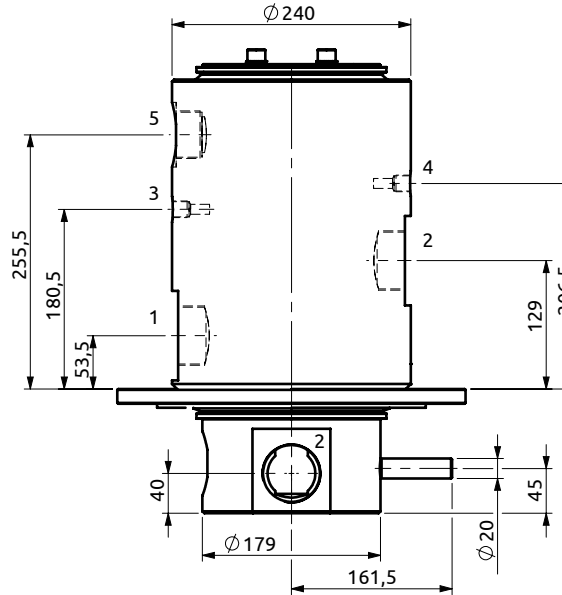
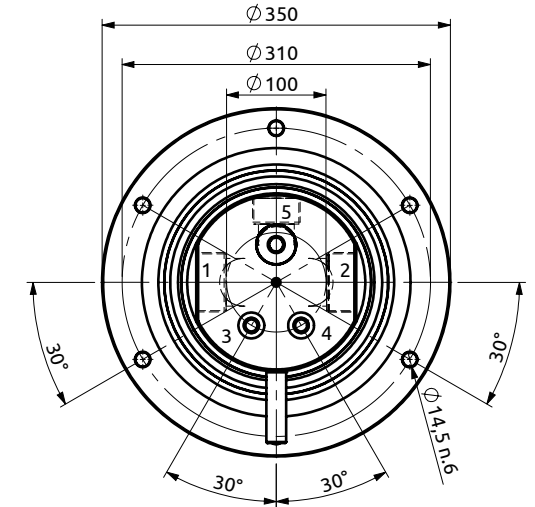
Distributore rotante 05 vie
Swivel joint 05 ways

Item code
D145050300

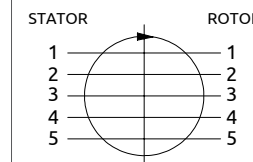


Distributore rotante 05 vie
Swivel joint 05 ways

Item code
D145050400



POS.	Statore Stator	Rotore Rotor	DN (mm)	Pressione max a 12RPM (bar) Max pressure at 12RPM (bar)	Fluido Fluid
1	3/4"G	3/4"G	16	320	Hydraulic Oil
2	1/2"G	1/2"G	12	320	Hydraulic Oil
3	3/4"G	3/4"G	16	320	Hydraulic Oil
4	1 1/4 SAE 6000	1 1/4 SAE 6000	32	380	Hydraulic Oil
5a	1 1/2 SAE 3000 (n.2)	1 1/2 SAE 3000 (n.2)	50	380	Hydraulic Oil

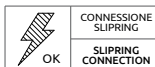
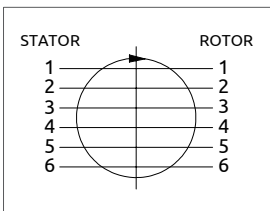
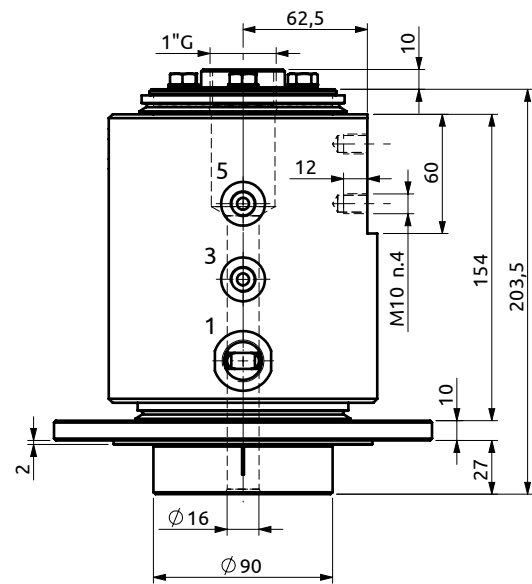
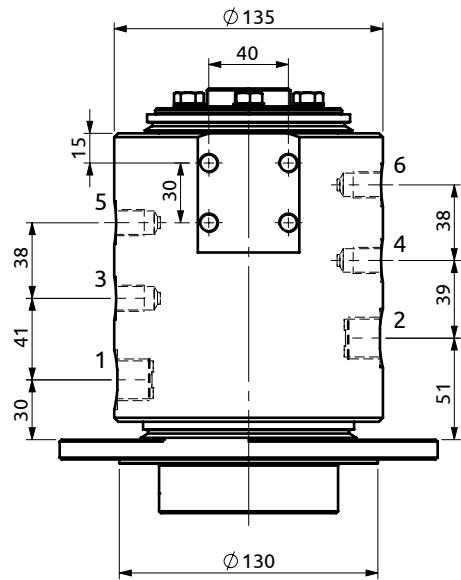
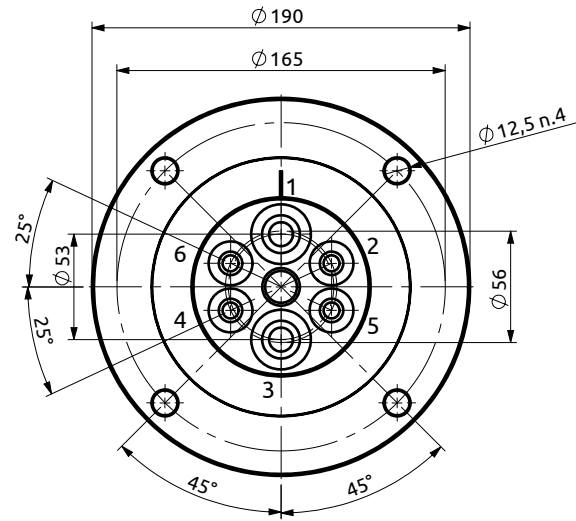


POS.	Statore Stator	Rotore Rotor	DN (mm)	Pressione max a 12RPM (bar) Max pressure at 12RPM (bar)	Fluido Fluid
1	2"G	2"G	48	300	Hydraulic Oil
2	2"G	2"G	48	300	Hydraulic Oil
3	3/8"G	3/8"G	10	300	Hydraulic Oil
4	3/8"G	3/8"G	10	300	Hydraulic Oil
5	1 1/2 G	1 1/2 G	36	30	Air



Distributore rotante 06 vie
Swivel joint 06 ways

Item code
D075060100



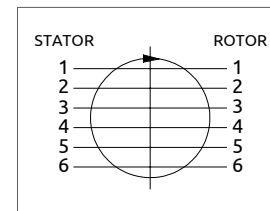
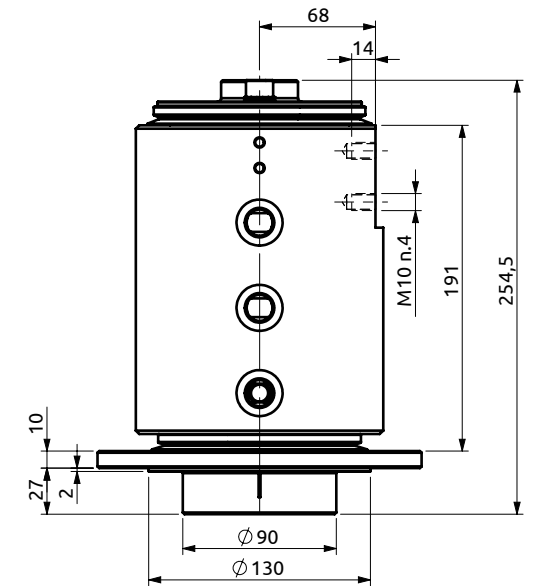
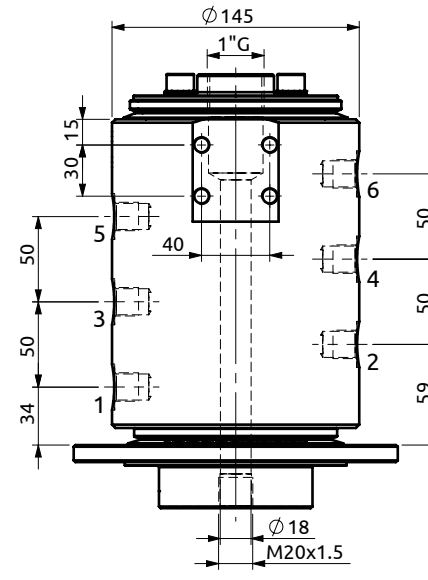
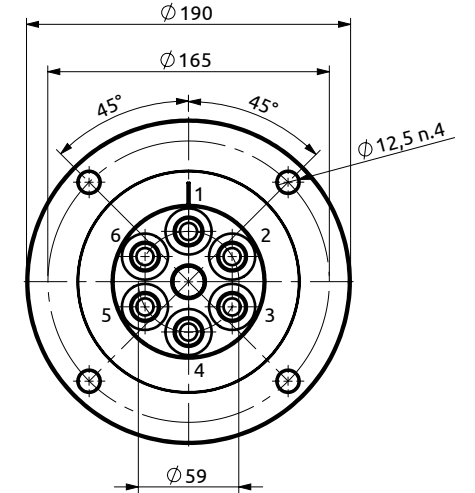
CONNESSIONE
SLIPRING
OK
SLIPRING
CONNECTION

POS.	Statore Stator	Rotore Rotor	DN (mm)	Pressione max a 12RPM (bar) Max pressure at 12RPM (bar)	Fluido Fluid
1	1/2"G	1/2"G	12	350	Hydraulic Oil
2	1/2"G	1/2"G	12	350	Hydraulic Oil
3	1/4"G	1/4"G	6	350	Hydraulic Oil
4	1/4"G	1/4"G	6	350	Hydraulic Oil
5	1/4"G	1/4"G	6	350	Hydraulic Oil
6	1/4"G	1/4"G	6	350	Hydraulic Oil



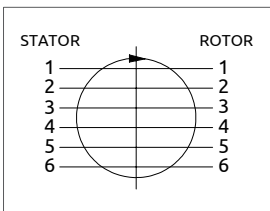
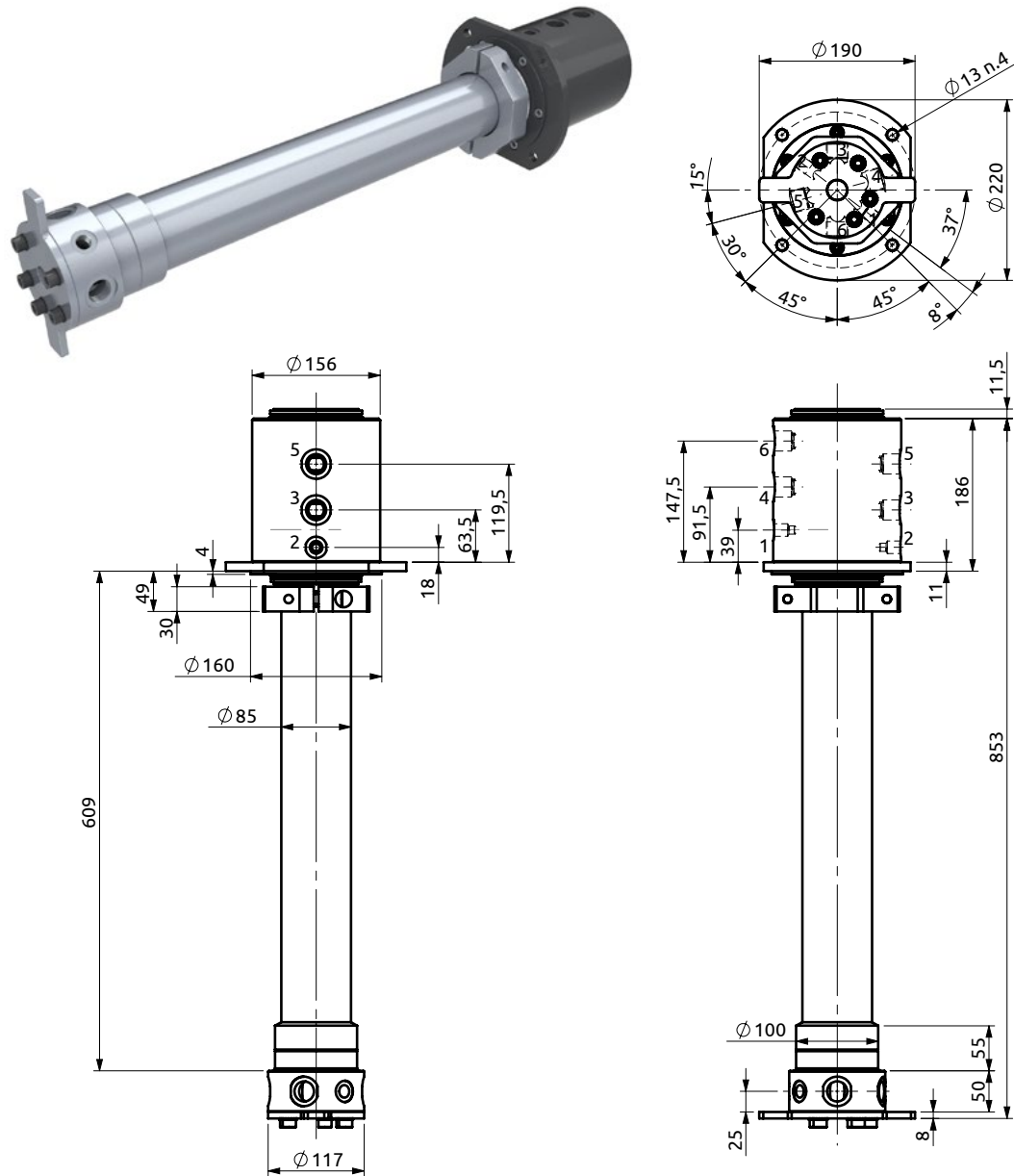
Distributore rotante 06 vie
Swivel joint 06 ways

Item code
D085060100

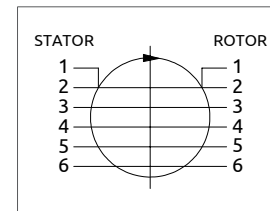
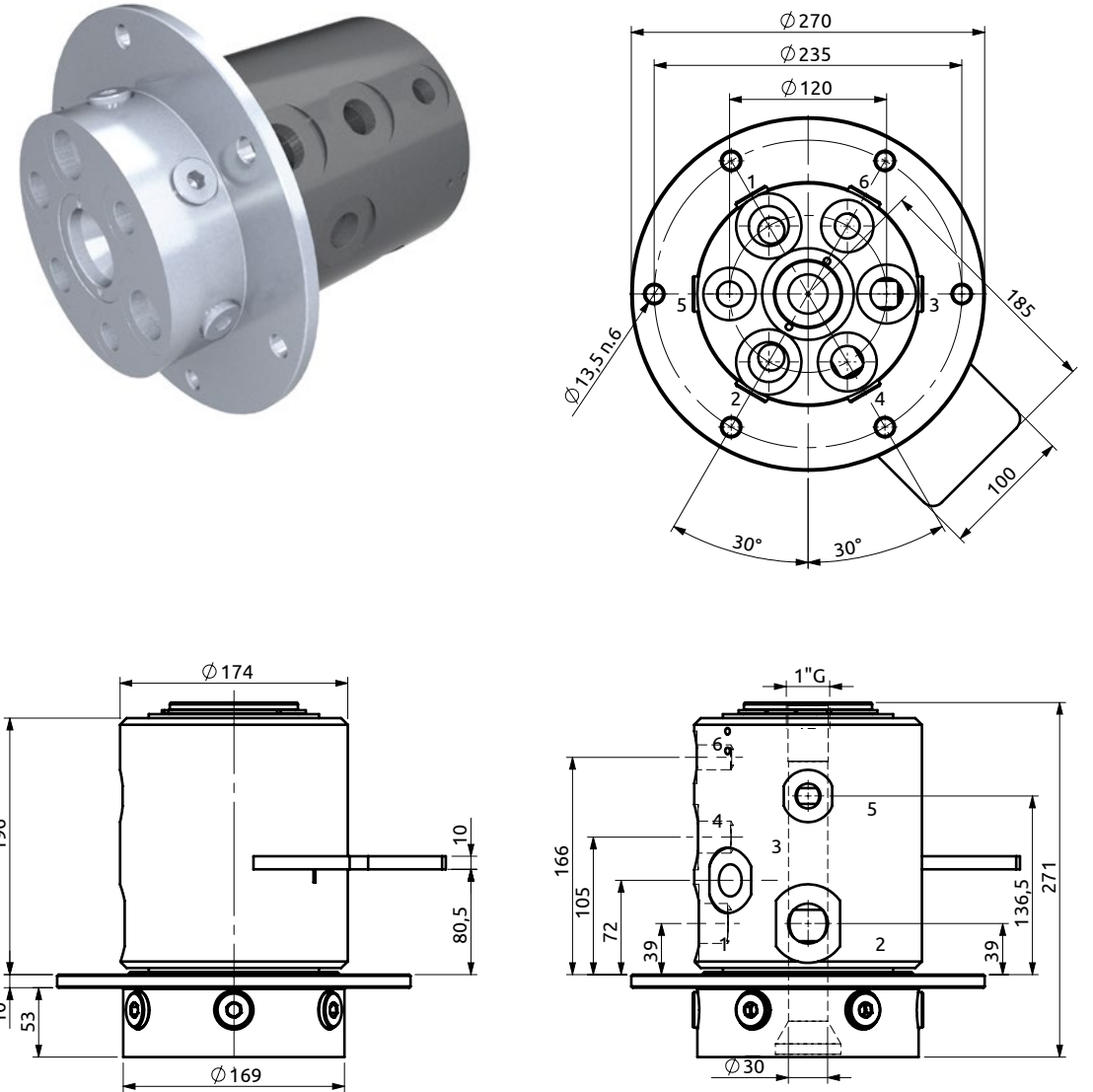


CONNESSIONE
SLIPRING
OK
SLIPRING
CONNECTION

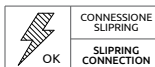
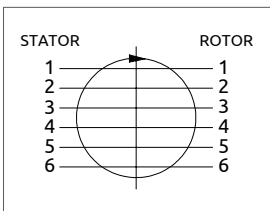
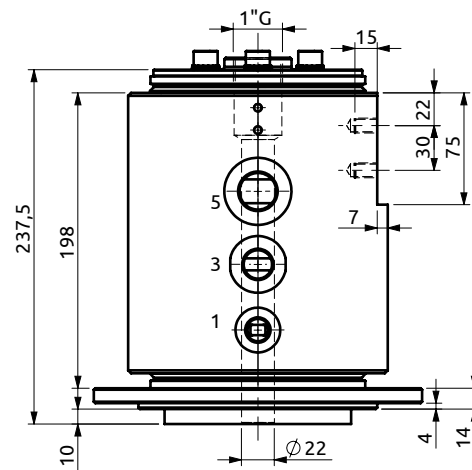
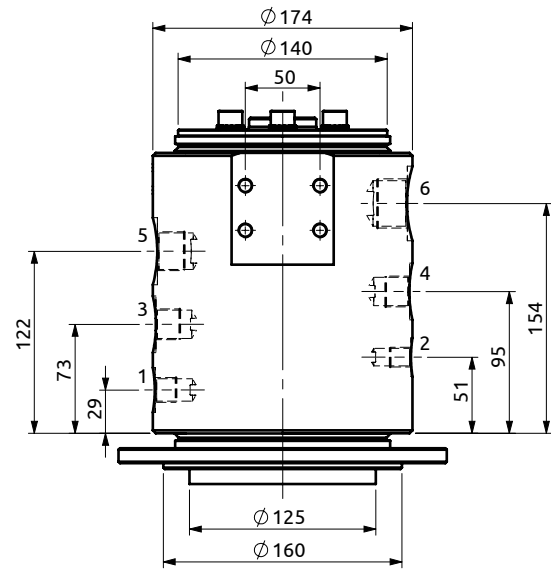
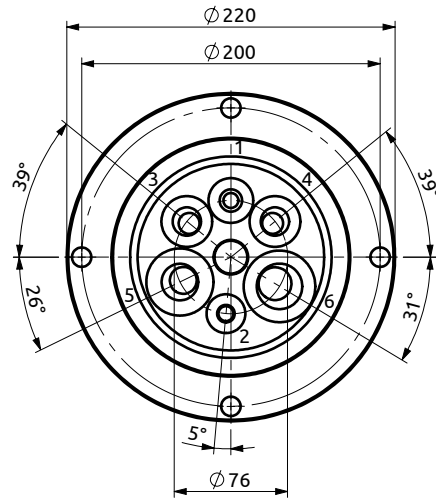
POS.	Statore Stator	Rotore Rotor	DN (mm)	Pressione max a 12RPM (bar) Max pressure at 12RPM (bar)	Fluido Fluid
1	3/8"G	3/8"G	10	380	Hydraulic Oil
2	3/8"G	3/8"G	10	380	Hydraulic Oil
3	3/8"G	3/8"G	10	380	Hydraulic Oil
4	3/8"G	3/8"G	10	380	Hydraulic Oil
5	3/8"G	3/8"G	10	380	Hydraulic Oil
6	3/8"G	3/8"G	10	380	Hydraulic Oil



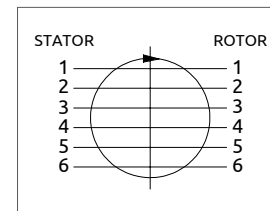
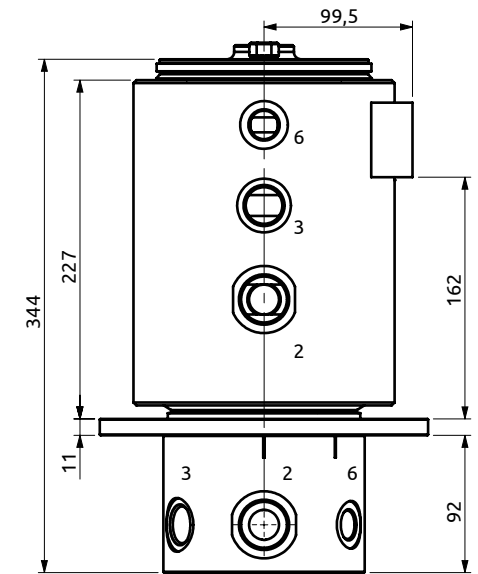
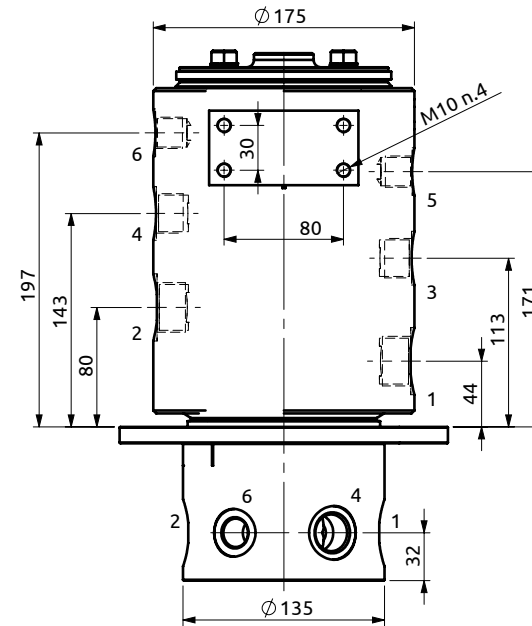
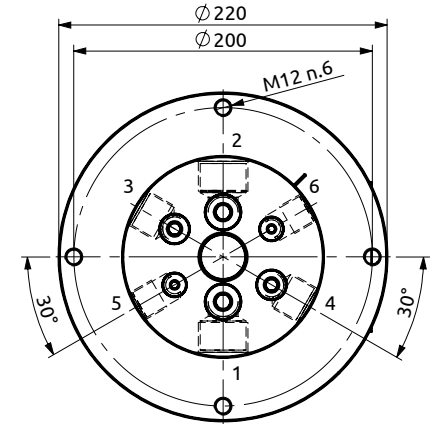
POS.	Statore Stator	Rotore Rotor	DN (mm)	Pressione max a 12RPM (bar) Max pressure at 12RPM (bar)	Fluido Fluid
1	3/8"G	3/8"G	10	350	Hydraulic Oil
2	3/8"G	3/8"G	10	350	Hydraulic Oil
3	3/4"G	3/4"G	18	350	Hydraulic Oil
4	3/4"G	3/4"G	18	350	Hydraulic Oil
5	3/4"G	3/4"G	18	350	Hydraulic Oil
6	3/4"G	3/4"G	18	350	Hydraulic Oil



POS.	Statore Stator	Rotore Rotor	DN (mm)	Pressione max a 12RPM (bar) Max pressure at 12RPM (bar)	Fluido Fluid
1	1"G	1"G	20	350	Hydraulic Oil
2	1"G	1"G	20	350	Hydraulic Oil
3	3/4"G	3/4"G	15	350	Hydraulic Oil
4	3/4"G	3/4"G	15	350	Hydraulic Oil
5	1/2"G	1/2"G	12	350	Hydraulic Oil
6	1/2"G	1/2"G	12	350	Hydraulic Oil



POS.	Statore Stator	Rotore Rotor	DN (mm)	Pressione max a 12RPM (bar) Max pressure at 12RPM (bar)	Fluido Fluid
1	3/8"G	3/8"G	10	380	Hydraulic Oil
2	1/4"G	1/4"G	10	380	Hydraulic Oil
3	1/2"G	1/2"G	14	380	Hydraulic Oil
4	1/2"G	1/2"G	14	380	Hydraulic Oil
5	3/4"G	3/4"G	18	380	Hydraulic Oil
6	1"G	1"G	22	380	Hydraulic Oil

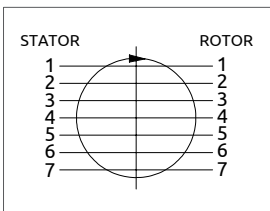
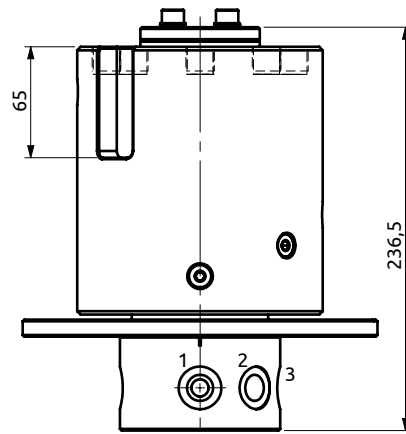
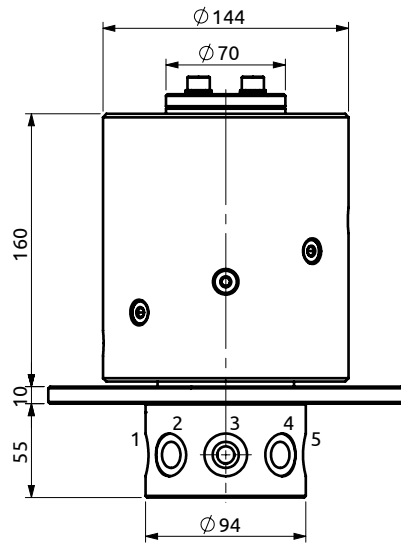
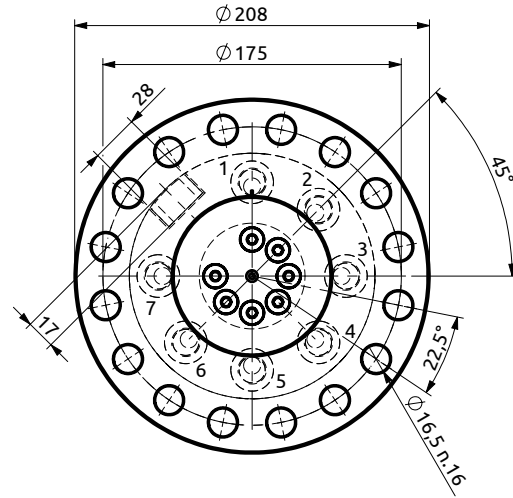
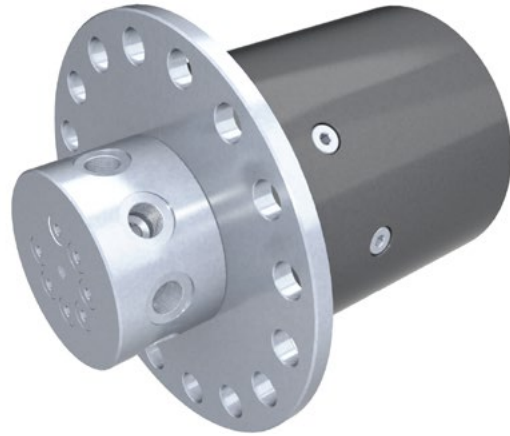


POS.	Statore Stator	Rotore Rotor	DN (mm)	Pressione max a 12RPM (bar) Max pressure at 12RPM (bar)	Fluido Fluid
1	1"G	1"G	20	380	Hydraulic Oil
2	1"G	1"G	20	380	Hydraulic Oil
3	3/4"G	3/4"G	16	380	Hydraulic Oil
4	3/4"G	3/4"G	16	380	Hydraulic Oil
5	1/2"G	1/2"G	12	380	Hydraulic Oil
6	1/2"G	1/2"G	12	380	Hydraulic Oil



Distributore rotante 07 vie
Swivel joint 07 ways

Item code
D060070100

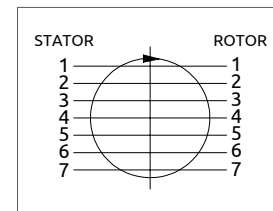
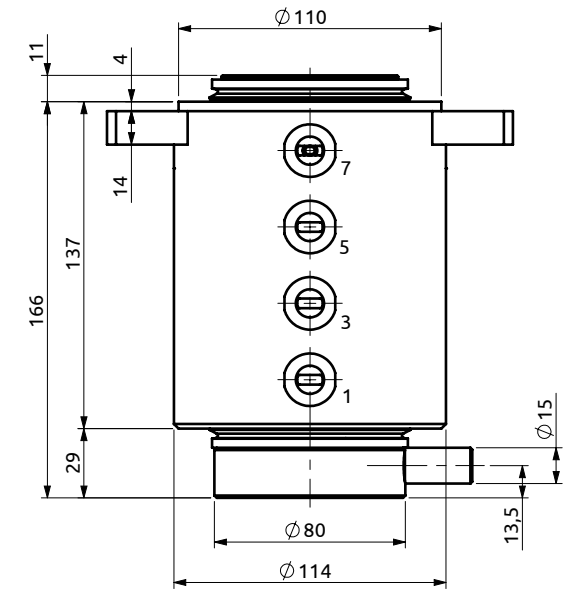
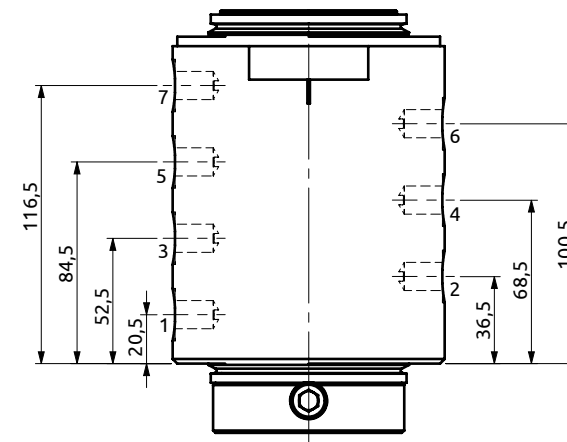
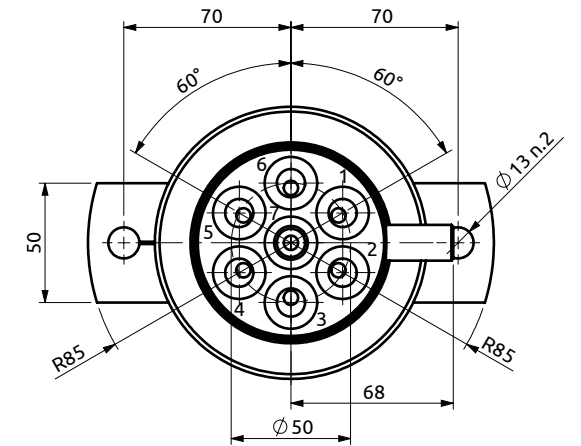


POS.	Statore Stator	Rotore Rotor	DN (mm)	Pressione max a 12RPM (bar) Max pressure at 12RPM (bar)	Fluido Fluid
1	3/8"G	3/8"G	10	300	Hydraulic Oil
2	3/8"G	3/8"G	10	300	Hydraulic Oil
3	3/8"G	3/8"G	10	300	Hydraulic Oil
4	3/8"G	3/8"G	10	300	Hydraulic Oil
5	3/8"G	3/8"G	10	300	Hydraulic Oil
6	3/8"G	3/8"G	10	300	Hydraulic Oil
7	3/8"G	3/8"G	10	300	Hydraulic Oil

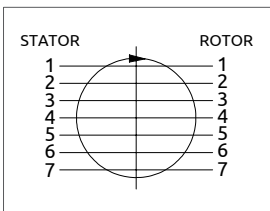
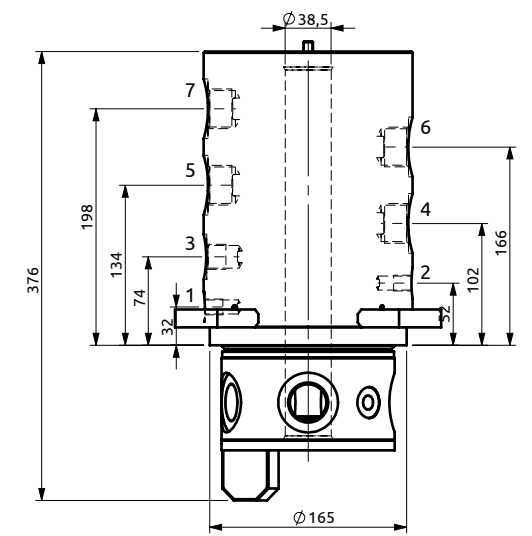
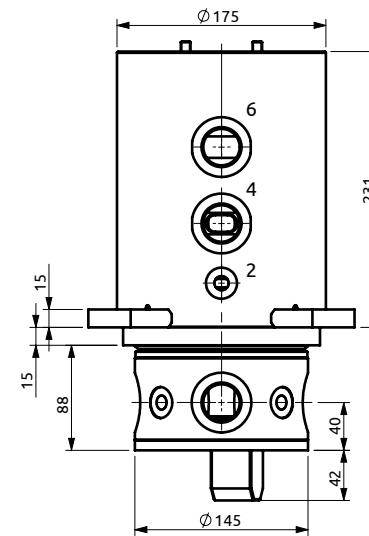
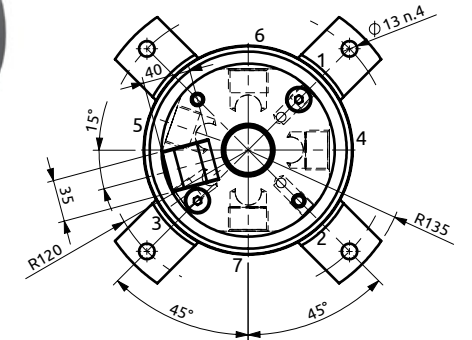
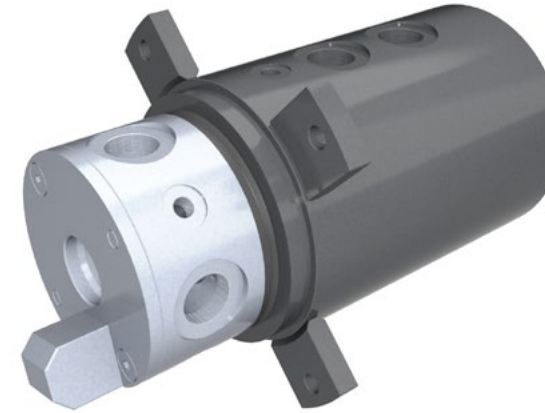
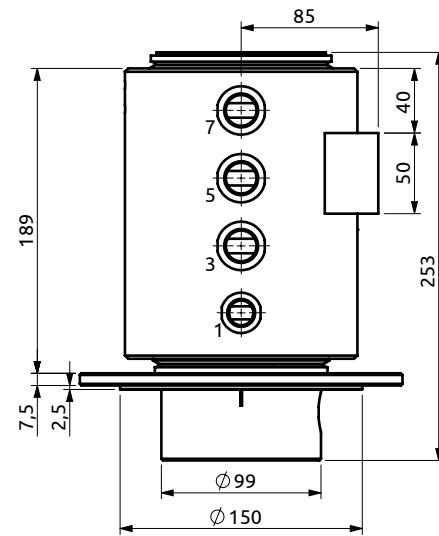
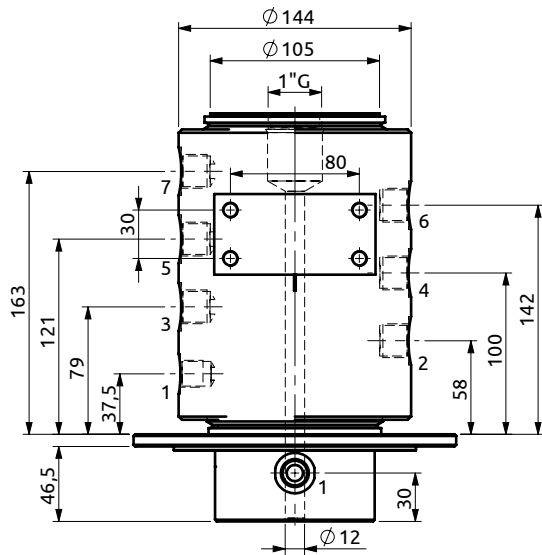
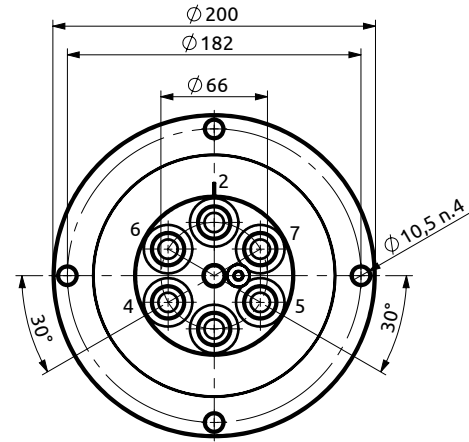
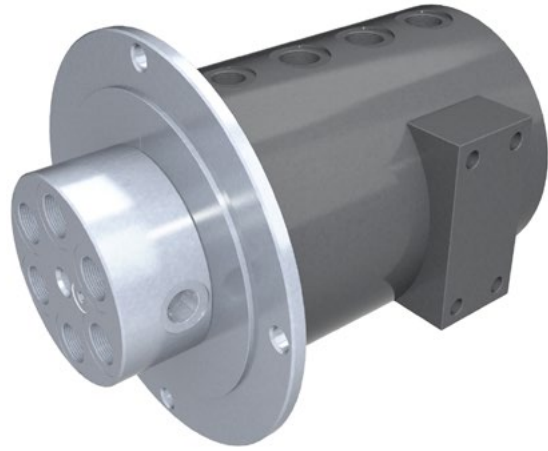


Distributore rotante 07 vie
Swivel joint 07 ways

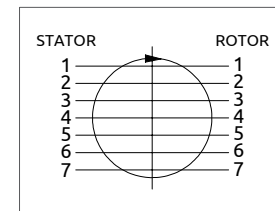
Item code
D060070200



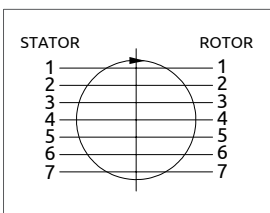
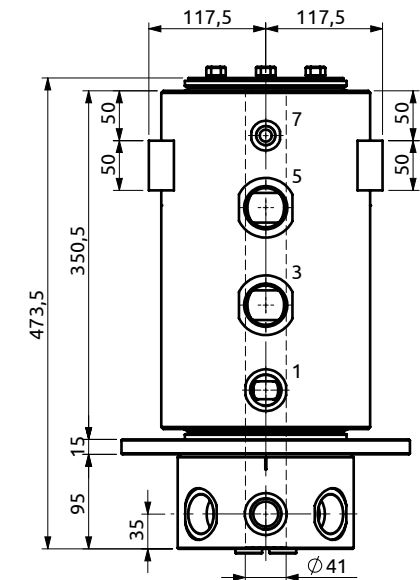
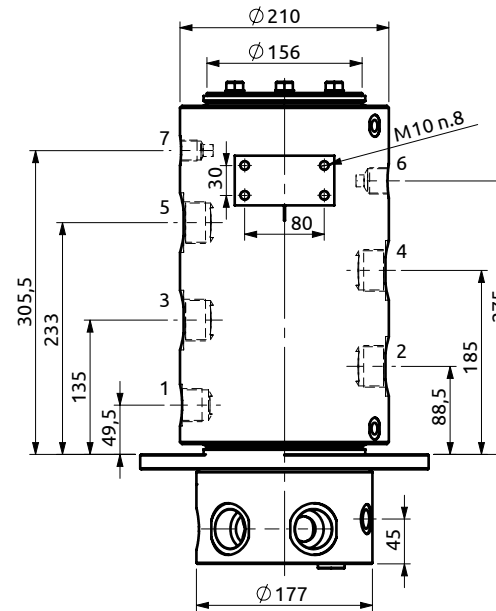
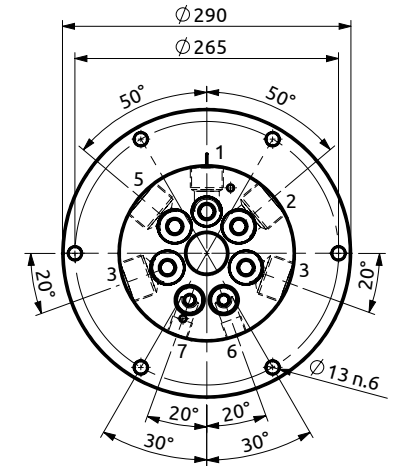
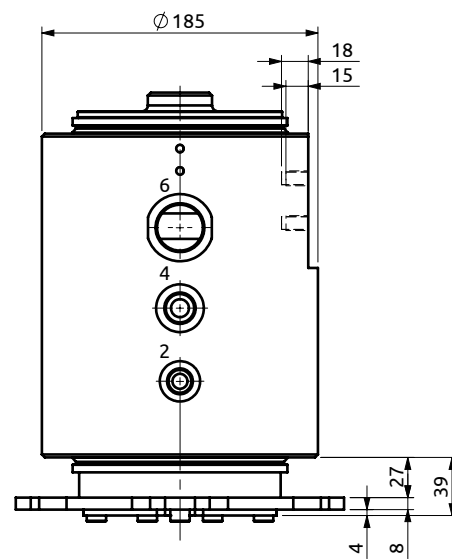
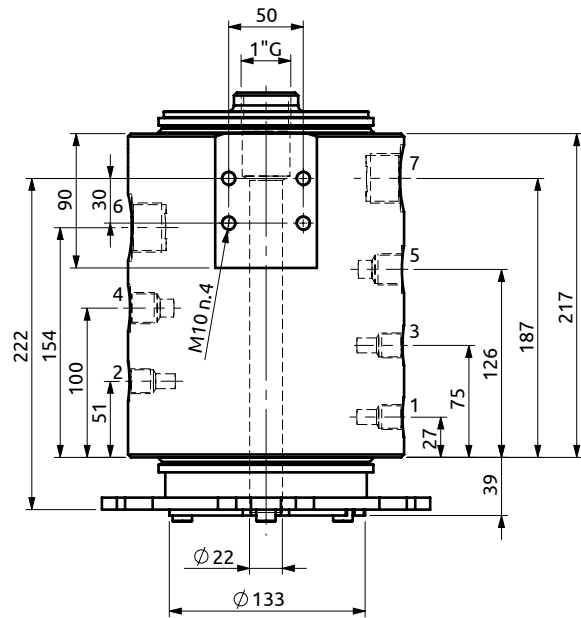
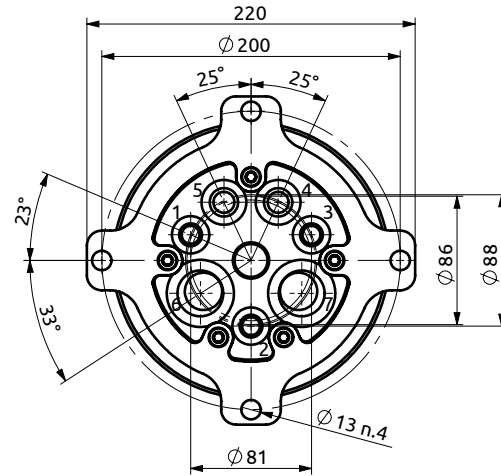
POS.	Statore Stator	Rotore Rotor	DN (mm)	Pressione max a 12RPM (bar) Max pressure at 12RPM (bar)	Fluido Fluid
1	1/4"G	1/4"G	6	320	Hydraulic Oil
2	1/4"G	1/4"G	6	320	Hydraulic Oil
3	1/4"G	1/4"G	6	320	Hydraulic Oil
4	1/4"G	1/4"G	6	320	Hydraulic Oil
5	1/4"G	1/4"G	6	320	Hydraulic Oil
6	1/4"G	1/4"G	6	320	Hydraulic Oil
7	1/4"G	1/4"G	6	320	Hydraulic Oil



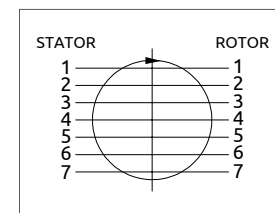
POS.	Statore Stator	Rotore Rotor	DN (mm)	Pressione max a 12RPM (bar) Max pressure at 12RPM (bar)	Fluido Fluid
1	3/8"G	3/8"G	10	320	Hydraulic Oil
2	1/2"G	1/2"G	12	320	Hydraulic Oil
3	1/2"G	1/2"G	12	320	Hydraulic Oil
4	1/2"G	1/2"G	12	320	Hydraulic Oil
5	1/2"G	1/2"G	12	320	Hydraulic Oil
6	1/2"G	1/2"G	12	320	Hydraulic Oil
7	1/2"G	1/2"G	12	320	Hydraulic Oil



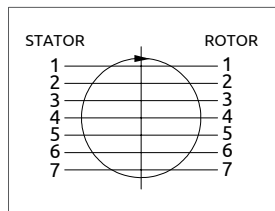
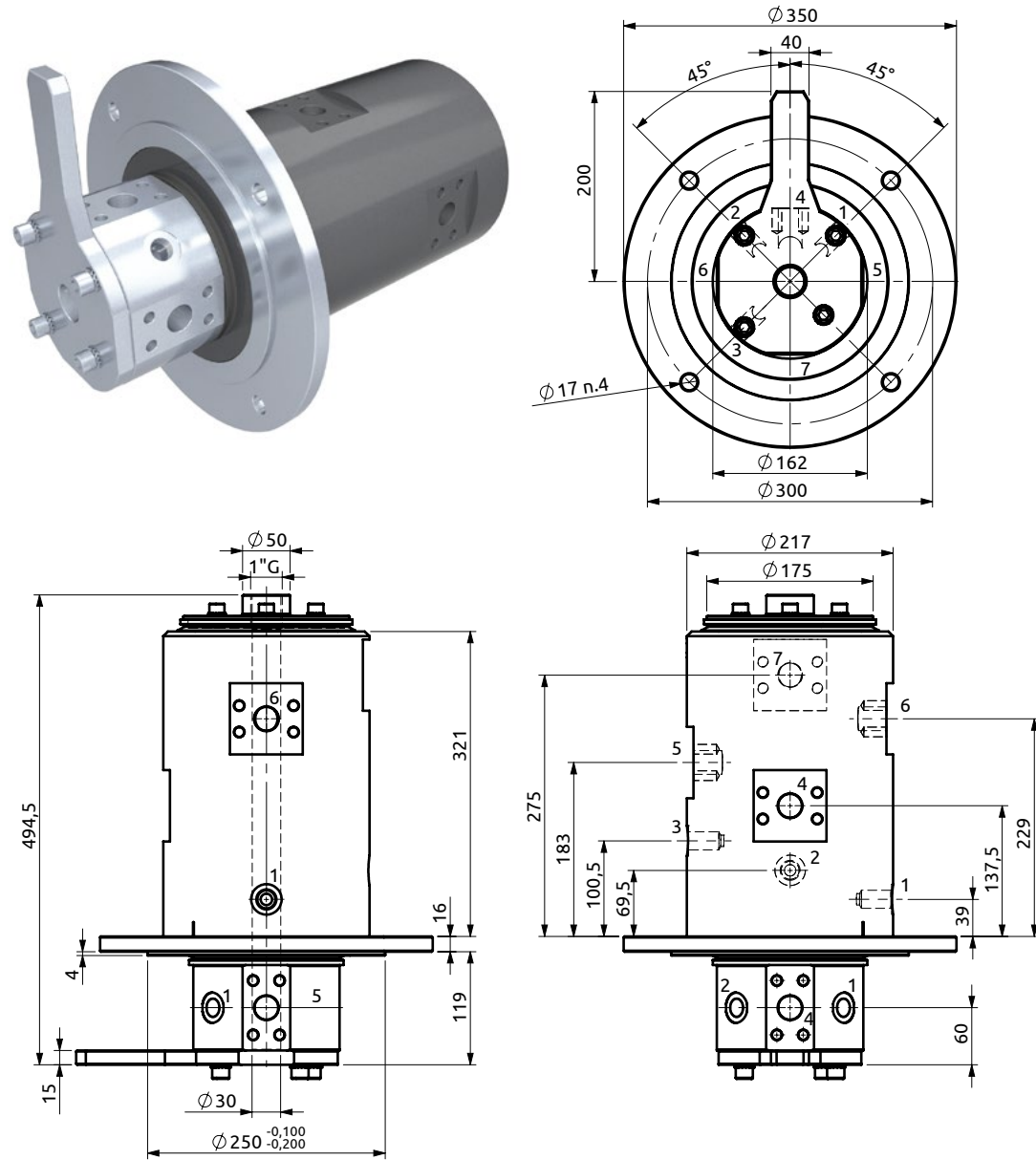
POS.	Statore Stator	Rotore Rotor	DN (mm)	Pressione max a 12RPM (bar) Max pressure at 12RPM (bar)	Fluido Fluid
1	1/4"G	1/4"G	8	350	Hydraulic Oil
2	1/4"G	1/4"G	8	350	Hydraulic Oil
3	1/2"G	1/2"G	14	350	Hydraulic Oil
4	1"G	1"G	22	350	Hydraulic Oil
5	1"G	1"G	22	350	Hydraulic Oil
6	1"G	1"G	22	350	Hydraulic Oil
7	1"G	1"G	22	350	Hydraulic Oil



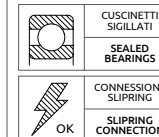
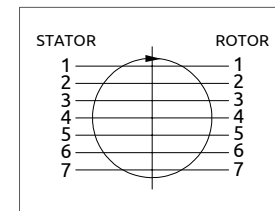
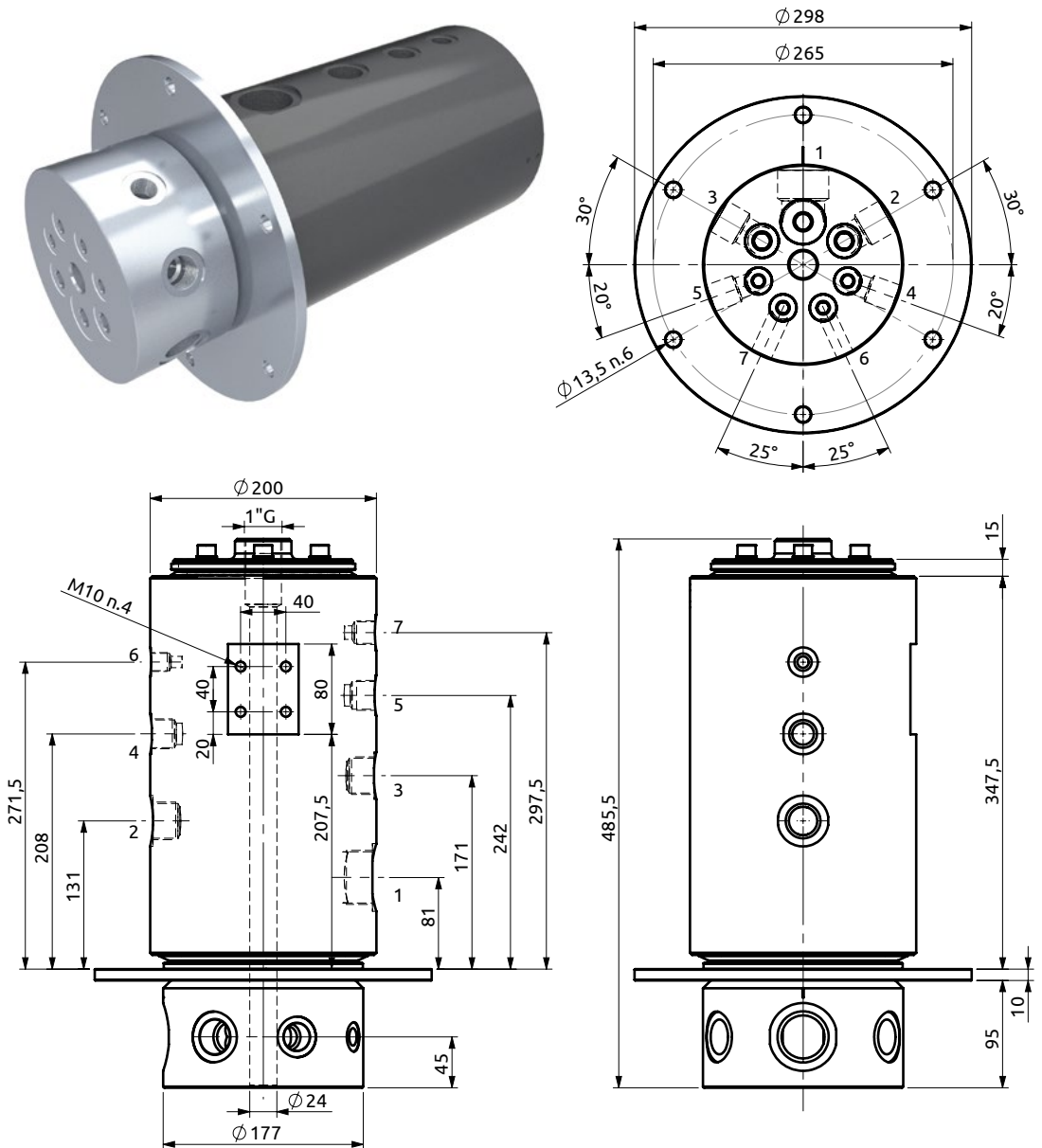
POS.	Statore Stator	Rotore Rotor	DN (mm)	Pressione max a 12RPM (bar) Max pressure at 12RPM (bar)	Fluido Fluid
1	3/8"G	3/8"G	10	380	Hydraulic Oil
2	3/8"G	3/8"G	10	380	Hydraulic Oil
3	3/8"G	3/8"G	10	380	Hydraulic Oil
4	1/2"G	1/2"G	14	380	Hydraulic Oil
5	1/2"G	1/2"G	14	380	Hydraulic Oil
6	1"G	1"G	22	380	Hydraulic Oil
7	1"G	1"G	22	380	Hydraulic Oil



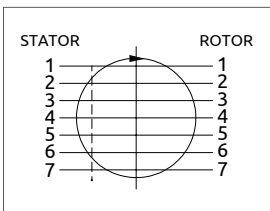
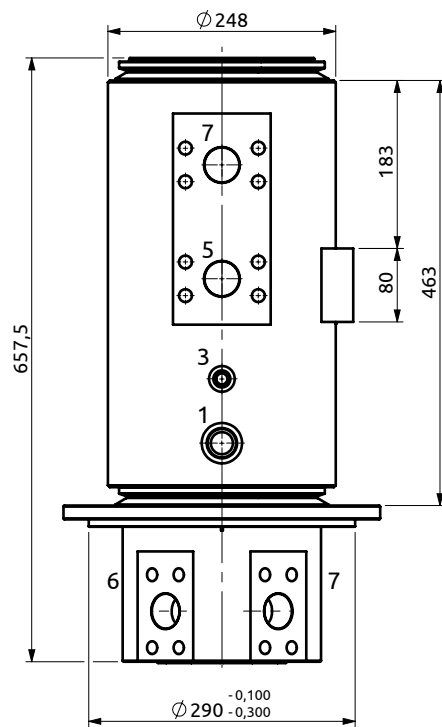
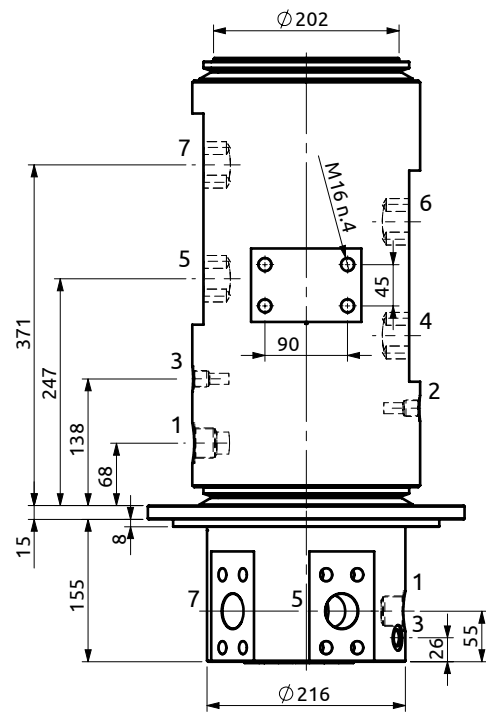
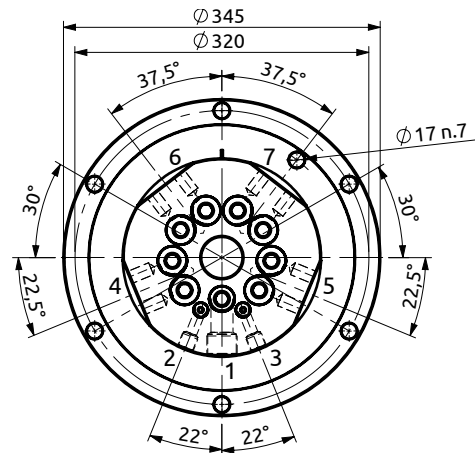
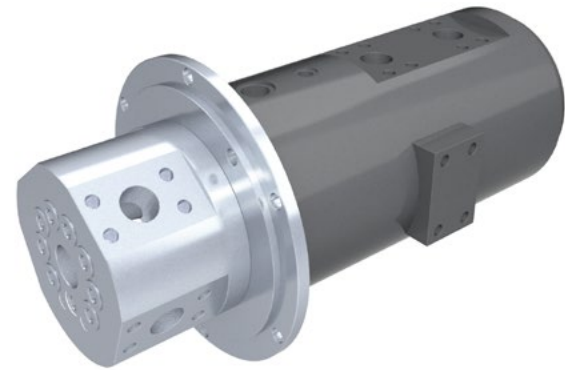
POS.	Statore Stator	Rotore Rotor	DN (mm)	Pressione max a 12RPM (bar) Max pressure at 12RPM (bar)	Fluido Fluid
1	1"G	1"G	25	300	Hydraulic Oil
2	1"1/4 G	1"1/4 G	30	350	Hydraulic Oil
3	1"1/4 G	1"1/4 G	30	380	Hydraulic Oil
4	1"1/4 G	1"1/4 G	30	380	Hydraulic Oil
5	1"1/4 G	1"1/4 G	30	380	Hydraulic Oil
6	1/2"G	3/4"G	12	380	Hydraulic Oil
7	1/2"G	1/2"G	12	380	Hydraulic Oil



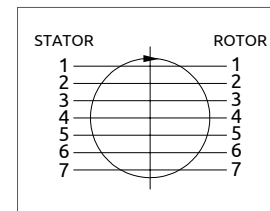
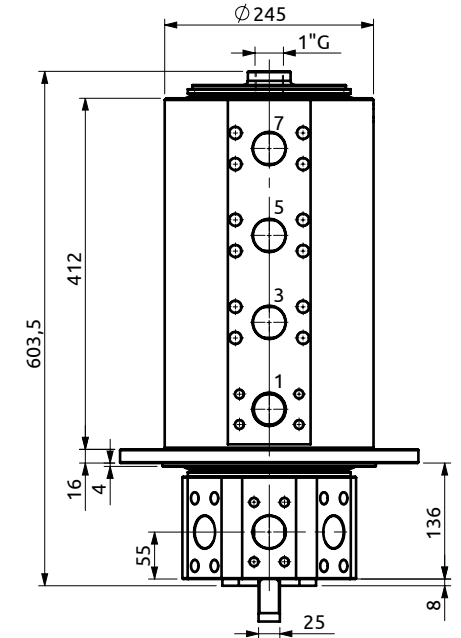
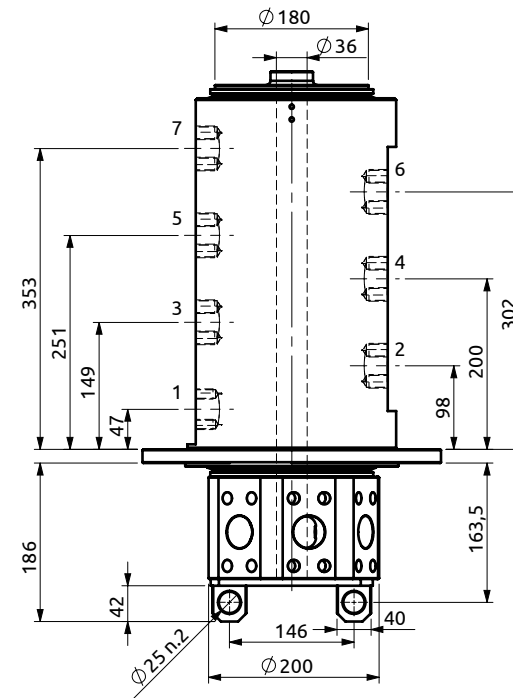
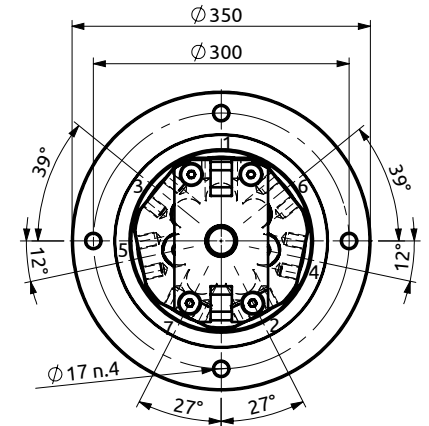
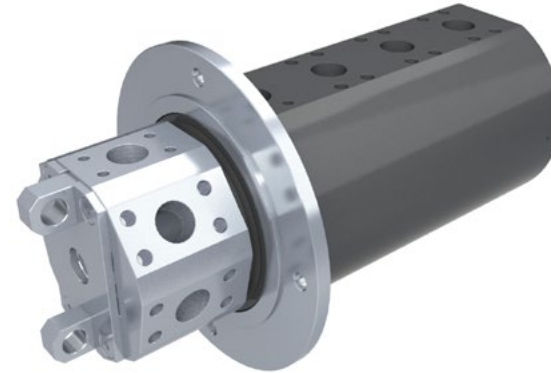
POS.	Statore Stator	Rotore Rotor	DN (mm)	Pressione max a 12RPM (bar) Max pressure at 12RPM (bar)	Fluido Fluid
1	1/2"G	1/2"G	18	380	Hydraulic Oil
2	1/2"G	1/2"G	18	380	Hydraulic Oil
3	1/2"G	1/2"G	18	380	Hydraulic Oil
4	1" SAE 6000	1" SAE 6000	25	380	Hydraulic Oil
5	1" SAE 6000	1" SAE 6000	25	380	Hydraulic Oil
6	1" SAE 6000	1" SAE 6000	25	380	Hydraulic Oil
7	1" SAE 6000	1" SAE 6000	25	380	Hydraulic Oil



POS.	Statore Stator	Rotore Rotor	DN (mm)	Pressione max a 12RPM (bar) Max pressure at 12RPM (bar)	Fluido Fluid
1	1" 1/2 G	1" 1/2 G	36	300	Hydraulic Oil
2	1"G	1"G	25	300	Hydraulic Oil
3	1"G	1"G	25	300	Hydraulic Oil
4	3/4"G	3/4"G	19	300	Hydraulic Oil
5	3/4"G	3/4"G	19	300	Hydraulic Oil
6	3/8"G	3/8"G	10	300	Hydraulic Oil
7	1/2"G	1/2"G	12	300	Hydraulic Oil



POS.	Statore Stator	Rotore Rotor	DN (mm)	Pressione max a 12RPM (bar) Max pressure at 12RPM (bar)	Fluido Fluid
1	M33x2	M33x2	24	300	Hydraulic Oil
2	M18x1.5	M18x1.5	12	300	Hydraulic Oil
3	M18x1.5	M18x1.5	12	300	Hydraulic Oil
4	1" 1/2 SAE 6000	1" 1/2 SAE 6000	38	300	Hydraulic Oil
5	1" 1/2 SAE 6000	1" 1/2 SAE 6000	38	300	Hydraulic Oil
6	1" 1/2 SAE 6000	1" 1/2 SAE 6000	38	300	Hydraulic Oil
7	1" 1/2 SAE 6000	1" 1/2 SAE 6000	38	300	Hydraulic Oil



POS.	Statore Stator	Rotore Rotor	DN (mm)	Pressione max a 12RPM (bar) Max pressure at 12RPM (bar)	Fluido Fluid
1	1" 1/2 SAE 6000	1" 1/2 SAE 6000	36	300	Hydraulic Oil
2	1" 1/2 SAE 6000	1" 1/2 SAE 6000	36	300	Hydraulic Oil
3	1" 1/2 SAE 6000	1" 1/2 SAE 6000	36	300	Hydraulic Oil
4	1" 1/2 SAE 6000	1" 1/2 SAE 6000	36	300	Hydraulic Oil
5	1" 1/2 SAE 6000	1" 1/2 SAE 6000	36	300	Hydraulic Oil
6	1" 1/2 SAE 6000	1" 1/2 SAE 6000	36	300	Hydraulic Oil
7	1" 1/2 SAE 6000	1" 1/2 SAE 6000	36	300	Hydraulic Oil



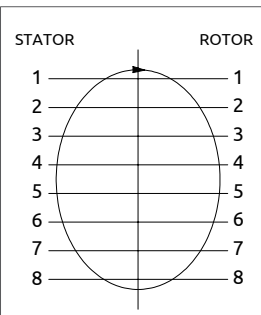
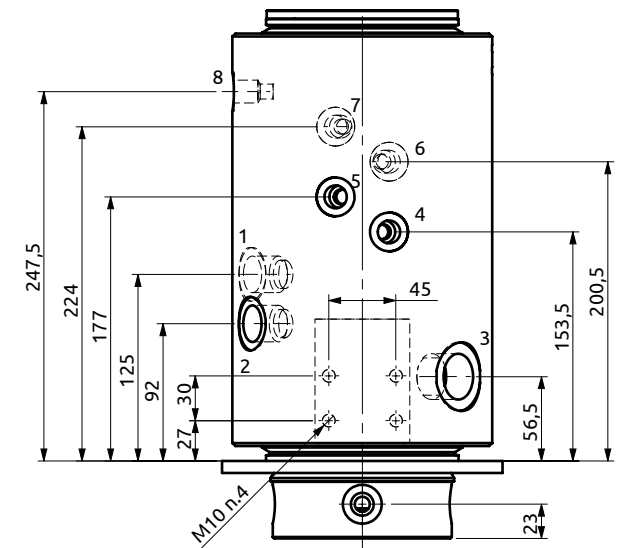
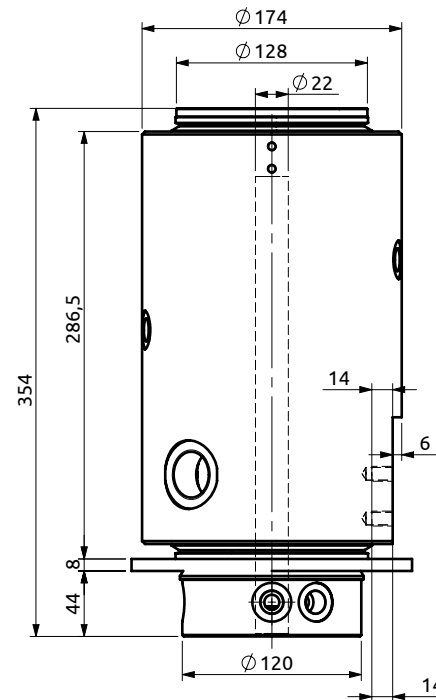
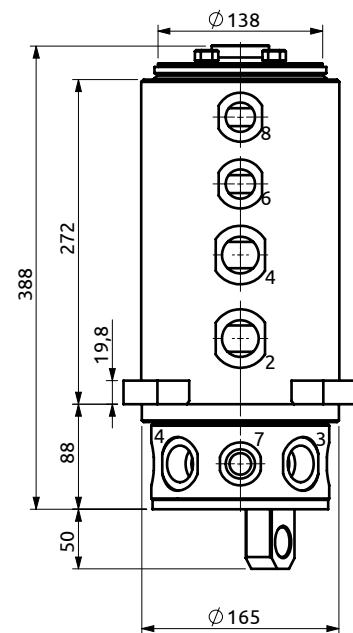
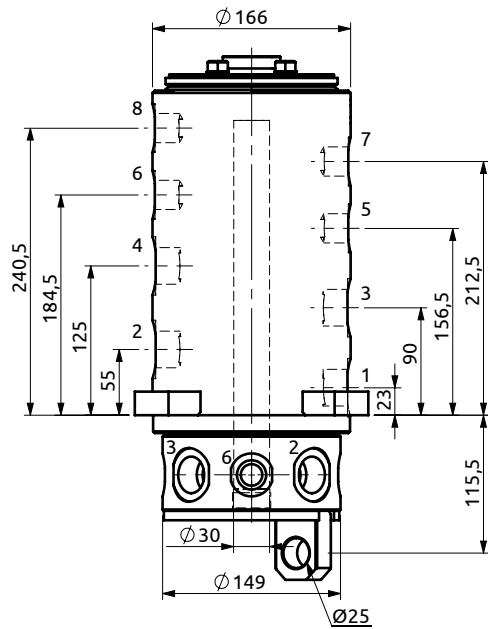
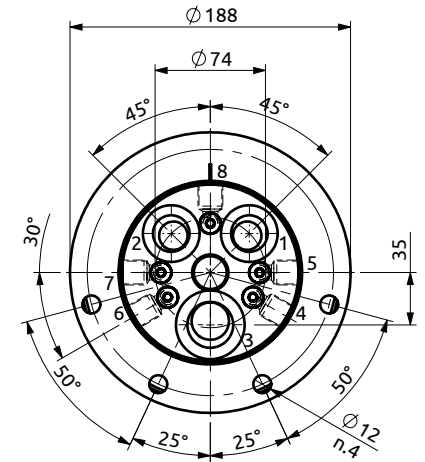
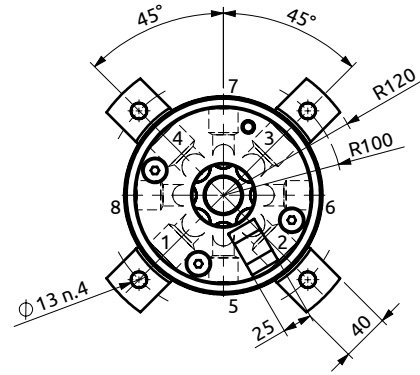
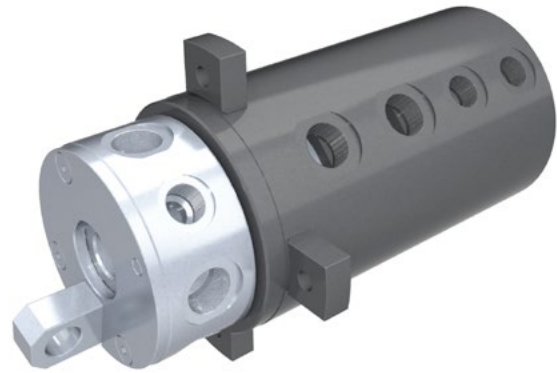
Distributore rotante 08 vie
Swivel joint 08 ways

Item code
D100080500

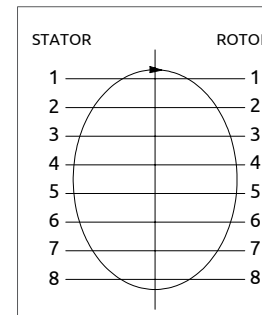


Distributore rotante 08 vie
Swivel joint 08 ways

Item code
D100080800



POS.	Statore Stator	Rotore Rotor	DN (mm)	Pressione max a 12RPM (bar) Max pressure at 12RPM (bar)	Fluido Fluid
1	1"G	1"G	22	350	Hydraulic Oil
2	1"G	1"G	22	350	Hydraulic Oil
3	1"G	1"G	22	350	Hydraulic Oil
4	1"G	1"G	22	350	Hydraulic Oil
5	3/4"G	3/4"G	18	350	Hydraulic Oil
6	3/4"G	3/4"G	18	350	Hydraulic Oil
7	3/4"G	3/4"G	18	350	Hydraulic Oil
8	3/4"G	3/4"G	18	350	Hydraulic Oil

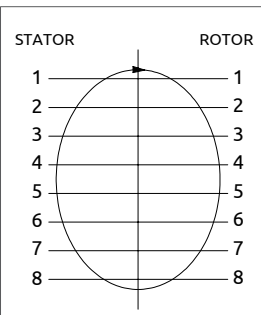
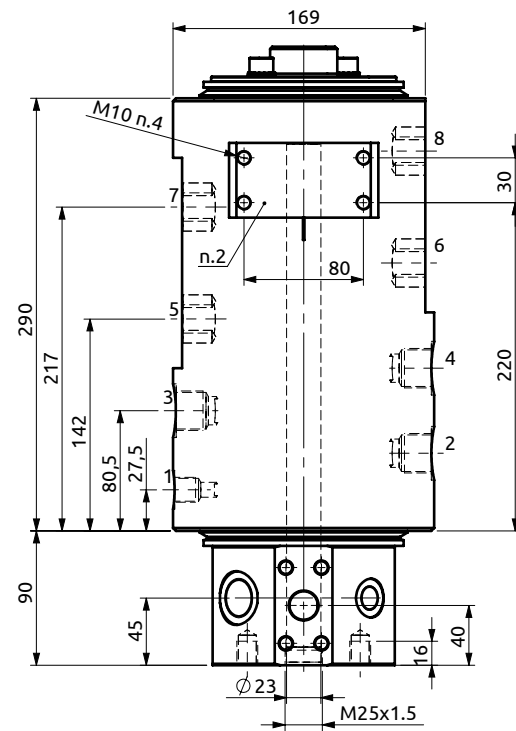
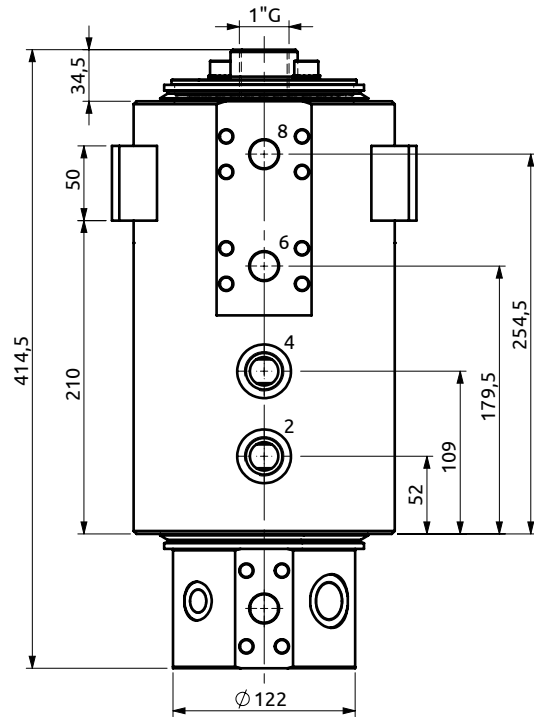
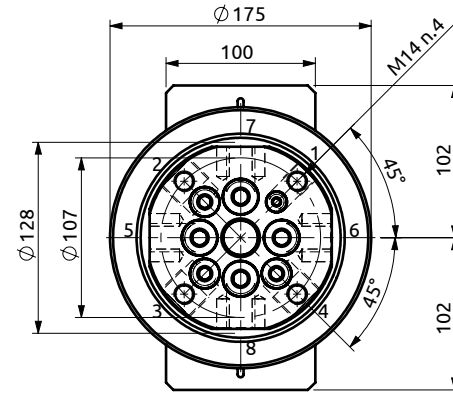


POS.	Statore Stator	Rotore Rotor	DN (mm)	Pressione max a 12RPM (bar) Max pressure at 12RPM (bar)	Fluido Fluid
1	3/4"G	3/4"G	19	350	Hydraulic Oil
2	3/4"G	3/4"G	19	350	Hydraulic Oil
3	1"G	1"G	25	350	Hydraulic Oil
4	3/8"G	3/8"G	10	350	Hydraulic Oil
5	3/8"G	3/8"G	10	350	Hydraulic Oil
6	3/8"G	3/8"G	10	350	Hydraulic Oil
7	3/8"G	3/8"G	10	350	Hydraulic Oil
8	3/8"G	3/8"G	10	350	Hydraulic Oil



Distributore rotante 08 vie
Swivel joint 08 ways

Item code
D100080900

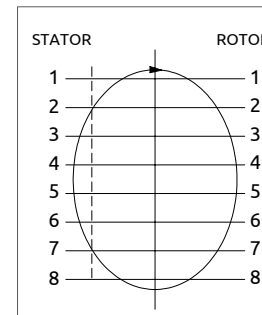
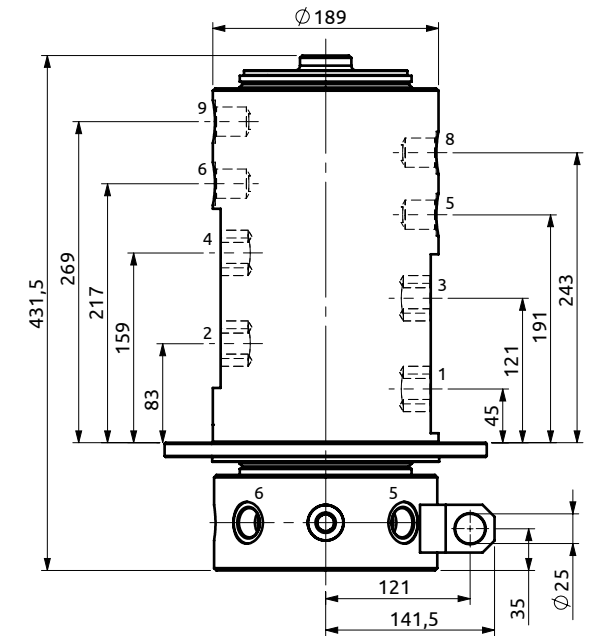
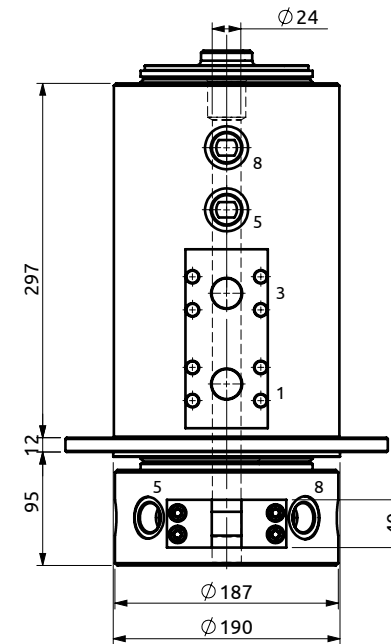
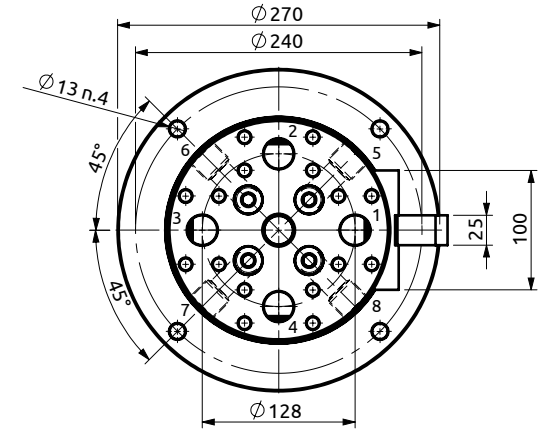


POS.	Statore Stator	Rotore Rotor	DN (mm)	Pressione max a 12RPM (bar) Max pressure at 12RPM (bar)	Fluido Fluid
1	3/8" G	3/8" G	10	320	Hydraulic Oil
2	3/4" G	3/4" G	16	320	Hydraulic Oil
3	3/4" G	3/4" G	16	320	Hydraulic Oil
4	3/4" G	3/4" G	16	320	Hydraulic Oil
5	3/4" SAE 6000	3/4" SAE 6000	20	320	Hydraulic Oil
6	3/4" SAE 6000	3/4" SAE 6000	20	320	Hydraulic Oil
7	3/4" SAE 6000	3/4" SAE 6000	20	320	Hydraulic Oil
8	3/4" SAE 6000	3/4" SAE 6000	20	320	Hydraulic Oil



Distributore rotante 08 vie
Swivel joint 08 ways

Item code
D110080200

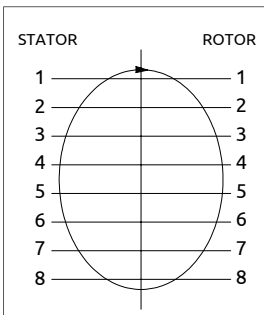
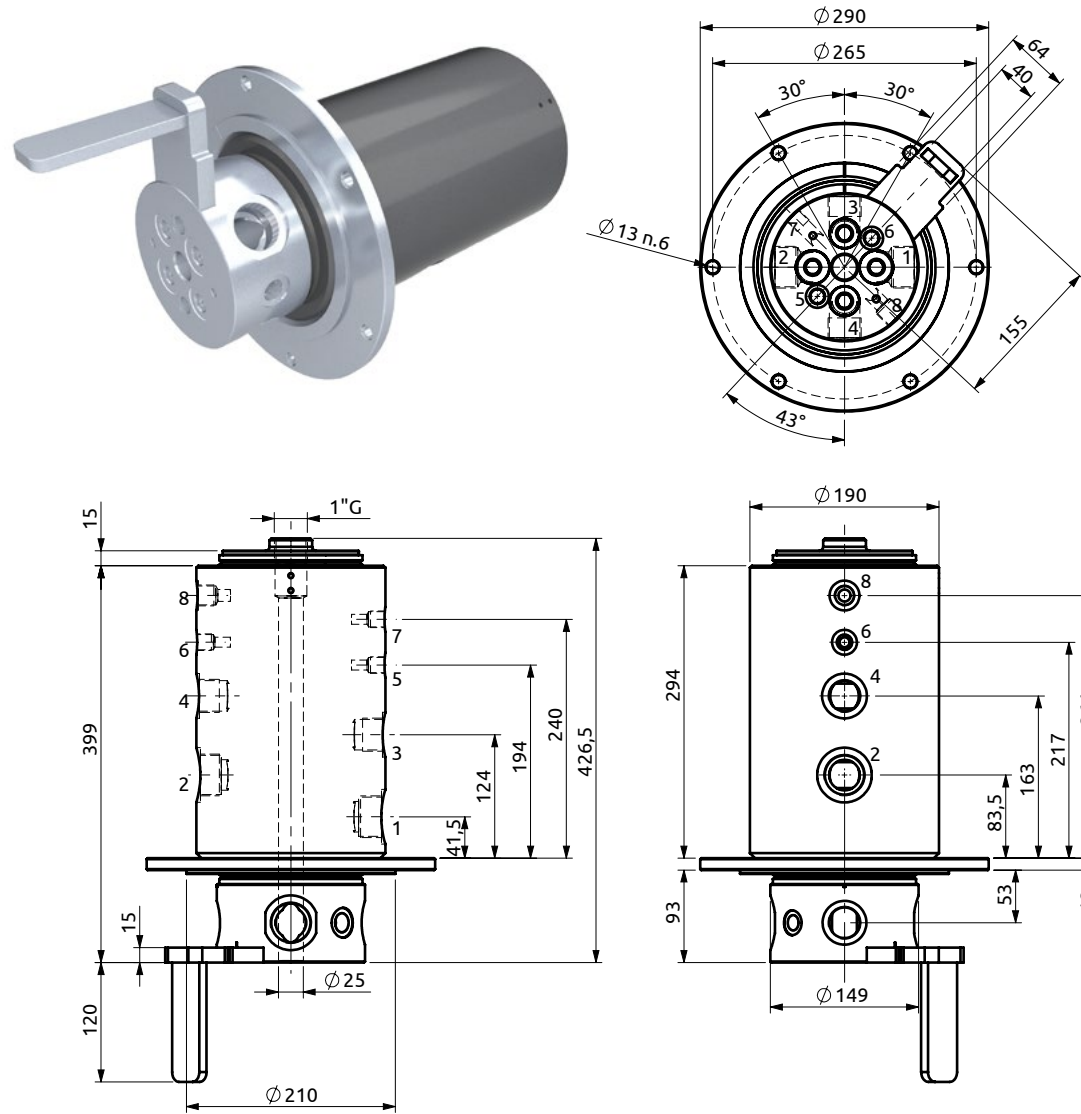


POS.	Statore Stator	Rotore Rotor	DN (mm)	Pressione max a 12RPM (bar) Max pressure at 12RPM (bar)	Fluido Fluid
1	1" SAE 6000	1" SAE 6000	25	350	Hydraulic Oil
2	1" SAE 6000	1" SAE 6000	25	350	Hydraulic Oil
3	1" SAE 6000	1" SAE 6000	25	350	Hydraulic Oil
4	1" SAE 6000	1" SAE 6000	25	350	Hydraulic Oil
5	3/4" G	3/4" G	18	350	Hydraulic Oil
6	3/4" G	3/4" G	18	350	Hydraulic Oil
7	3/4" G	3/4" G	18	350	Hydraulic Oil
8	3/4" G	3/4" G	18	50	Drain



Distributore rotante 08 vie
Swivel joint 08 ways

Item code
D110080300

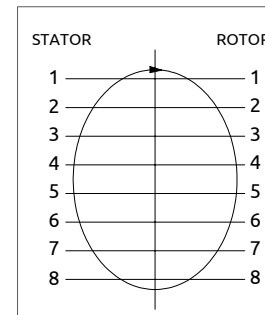
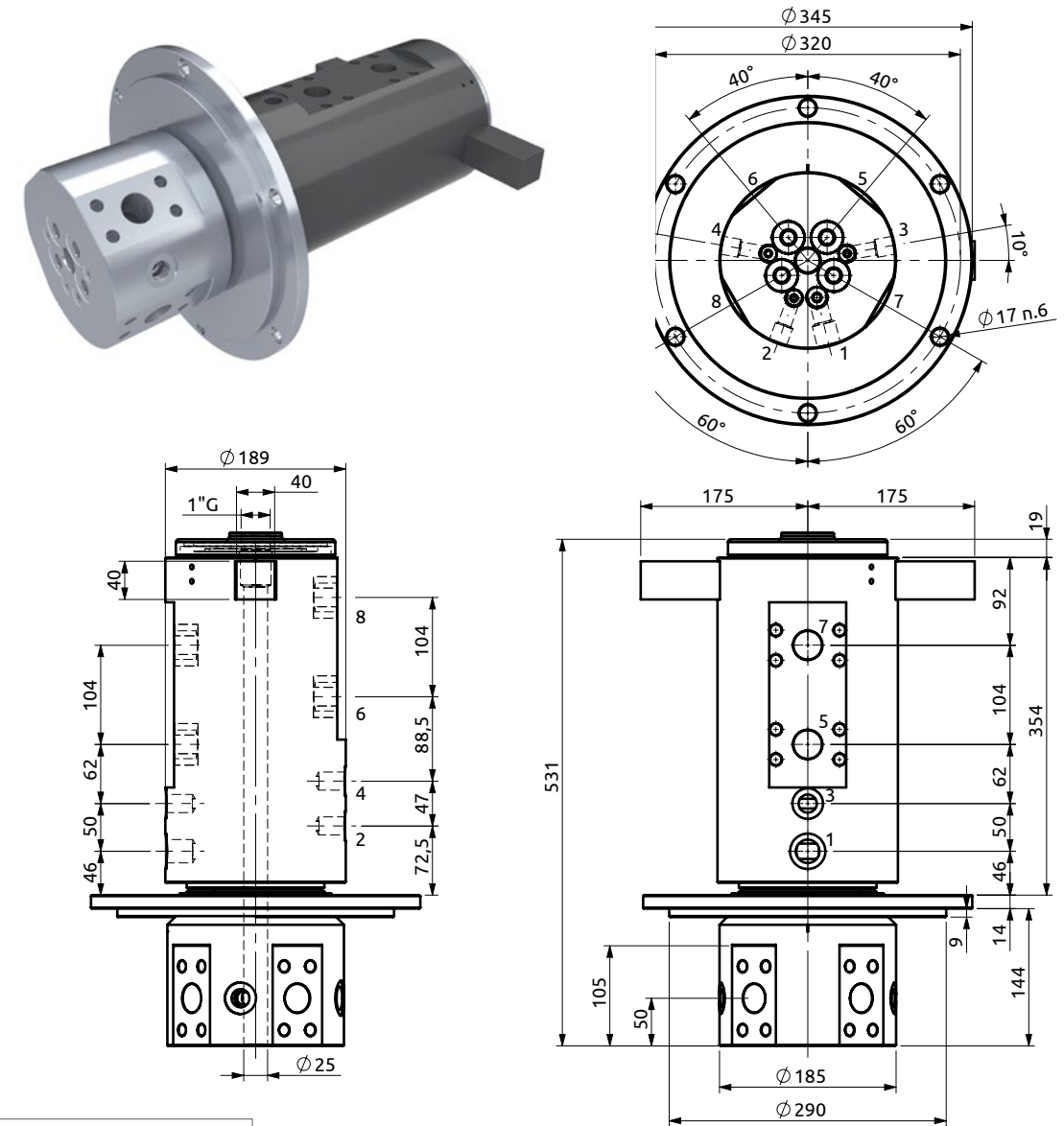


POS.	Statore Stator	Rotore Rotor	DN (mm)	Pressione max a 12RPM (bar) Max pressure at 12RPM (bar)	Fluido Fluid
1	1" 1/4 G	1" 1/4 G	30	400	Hydraulic Oil
2	1" 1/4 G	1" 1/4 G	30	400	Hydraulic Oil
3	1" G	1" G	25	400	Hydraulic Oil
4	1" G	1" G	25	400	Hydraulic Oil
5	3/8" G	3/8" G	10	350	Hydraulic Oil
6	3/8" G	3/8" G	10	350	Hydraulic Oil
7	3/8" G	3/8" G	10	350	Hydraulic Oil
8	1/2" G	1/2" G	12	350	Hydraulic Oil

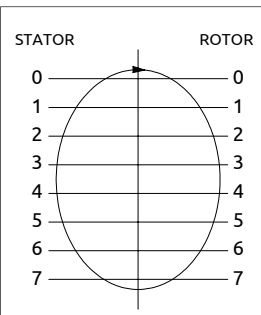
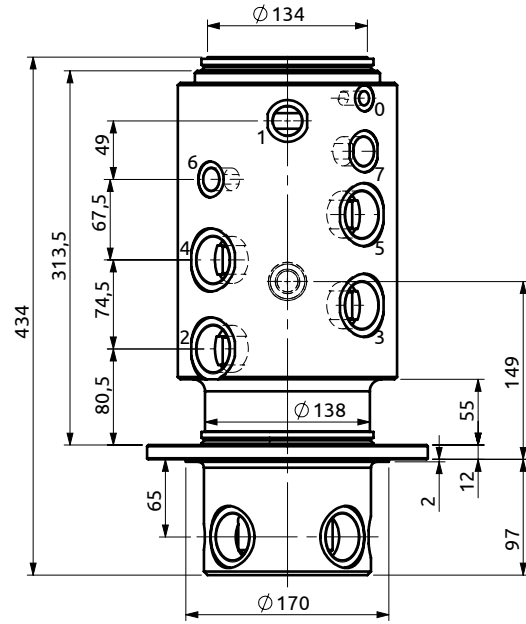
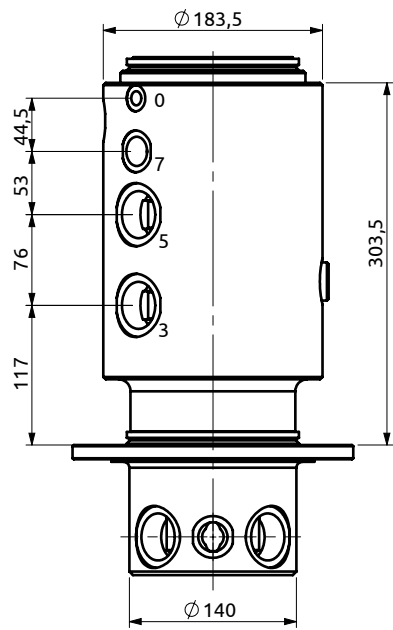
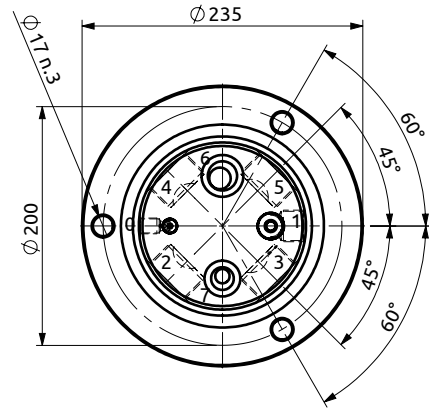


Distributore rotante 08 vie
Swivel joint 08 ways

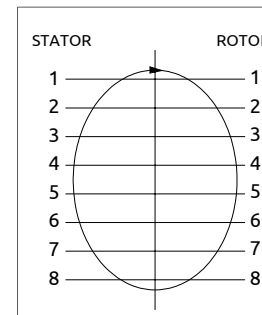
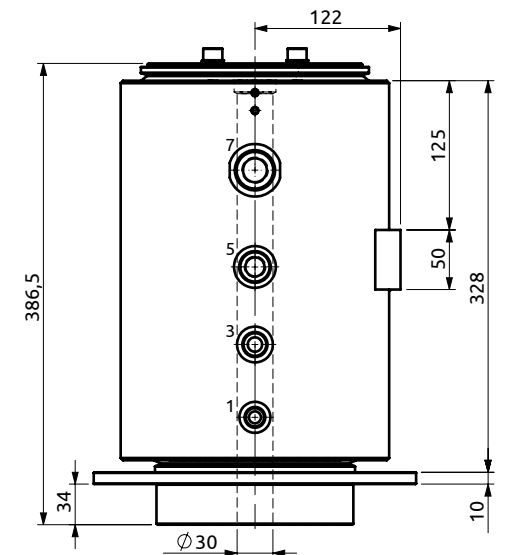
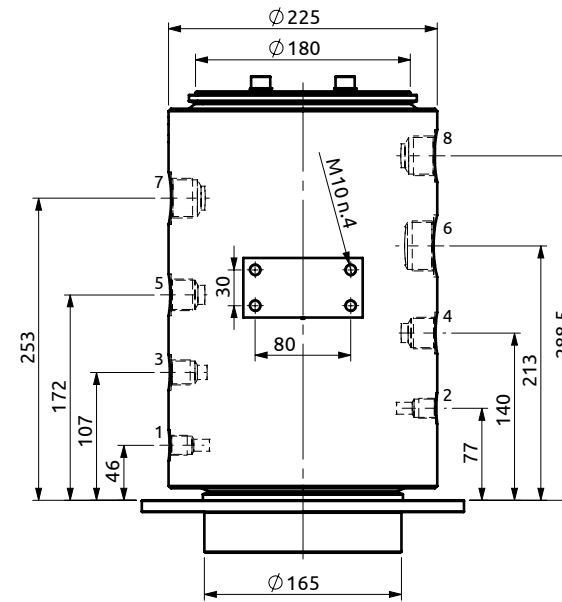
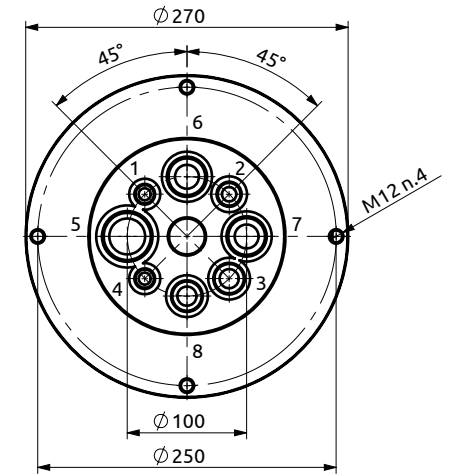
Item code
D110080400



POS.	Statore Stator	Rotore Rotor	DN (mm)	Pressione max a 12RPM (bar) Max pressure at 12RPM (bar)	Fluido Fluid
1	3/4" G	3/4" G	18	350	Hydraulic Oil
2	1/2" G	1/2" G	14	350	Hydraulic Oil
3	1/2" G	1/2" G	14	350	Hydraulic Oil
4	1/2" G	1/2" G	14	350	Hydraulic Oil
5	1" 1/4 SAE 6000	1" 1/4 SAE 6000	30	350	Hydraulic Oil
6	1" 1/4 SAE 6000	1" 1/4 SAE 6000	30	350	Hydraulic Oil
7	1" 1/4 SAE 6000	1" 1/4 SAE 6000	30	350	Hydraulic Oil
8	1" 1/4 SAE 6000	1" 1/4 SAE 6000	30	350	Hydraulic Oil



POS.	Statore Stator	Rotore Rotor	DN (mm)	Pressione max a 12RPM (bar) Max pressure at 12RPM (bar)	Fluido Fluid
0	1/4"G	1/4"G	6	50	Hydraulic Oil
1	3/4"G	3/4"G	18	35	Hydraulic Oil
2	1"1/4 G	1"1/4 G	30	400	Hydraulic Oil
3	1"1/4 G	1"1/4 G	30	400	Hydraulic Oil
4	1"1/4 G	1"1/4 G	30	400	Hydraulic Oil
5	1"1/4 G	1"1/4 G	30	400	Hydraulic Oil
6	1/2"G	1/2"G	12	400	Hydraulic Oil
7	3/4"G	3/4"G	18	400	Hydraulic Oil



POS.	Statore Stator	Rotore Rotor	DN (mm)	Pressione max a 12RPM (bar) Max pressure at 12RPM (bar)	Fluido Fluid
1	3/8"G	3/8"G	10	350	Hydraulic Oil
2	3/8"G	3/8"G	10	350	Hydraulic Oil
3	1/2"G	1/2"G	12	350	Hydraulic Oil
4	3/4"G	3/4"G	16	350	Hydraulic Oil
5	3/4"G	3/4"G	16	350	Hydraulic Oil
6	1"1/4 G	1"1/4 G	30	350	Hydraulic Oil
7	1"G	1"G	20	350	Hydraulic Oil
8	1"G	1"G	20	350	Hydraulic Oil



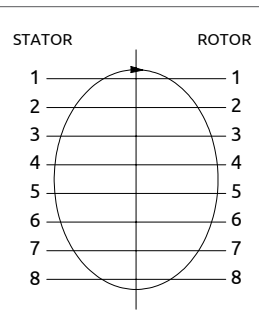
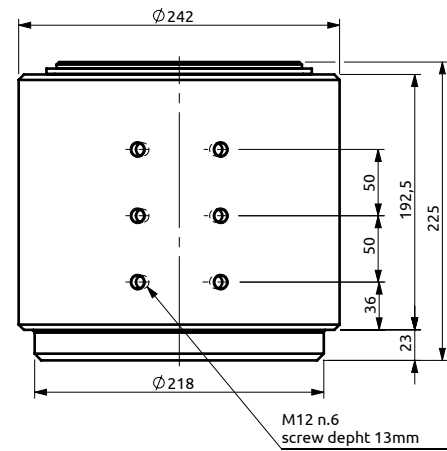
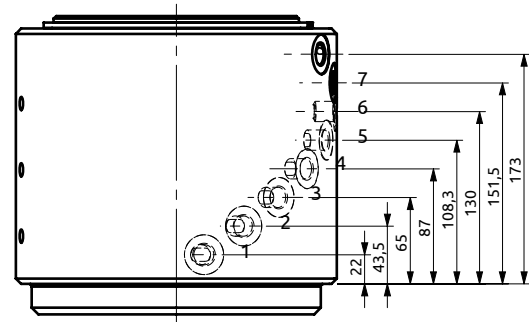
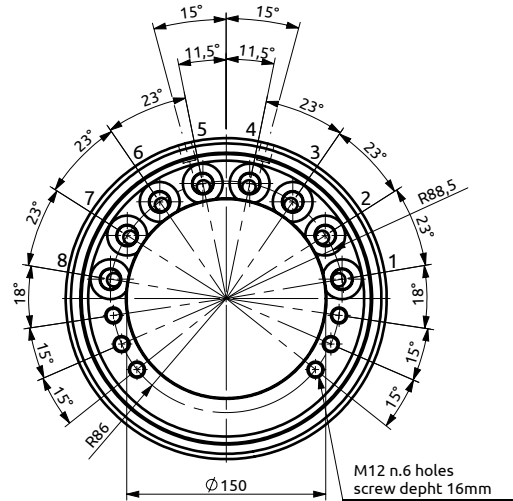
Distributore rotante 08 vie
Swivel joint 08 ways

Item code
D190080000

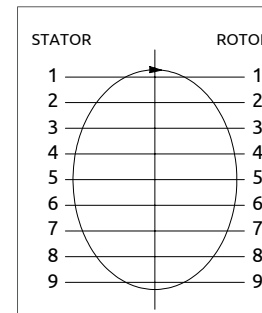
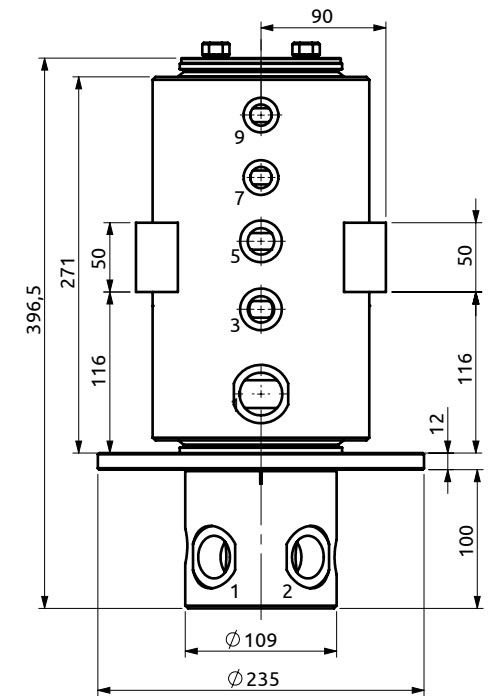
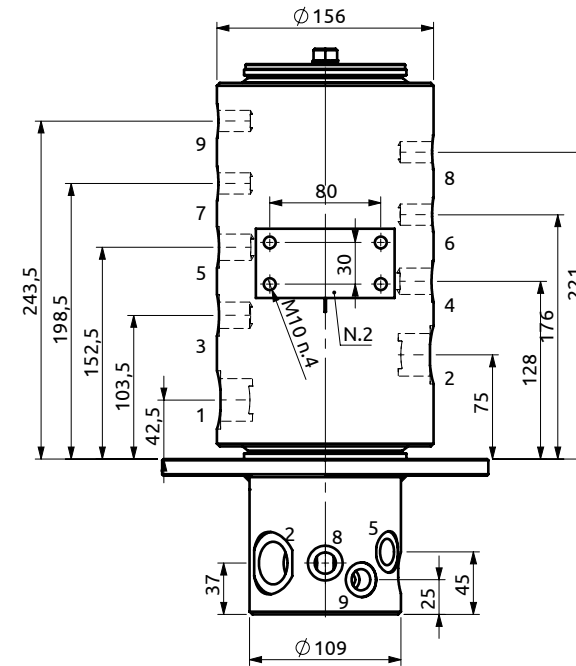
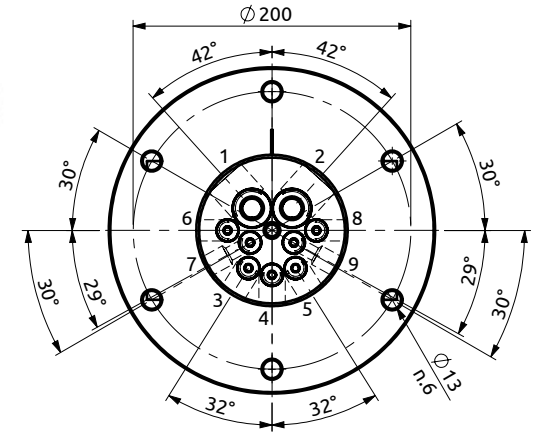
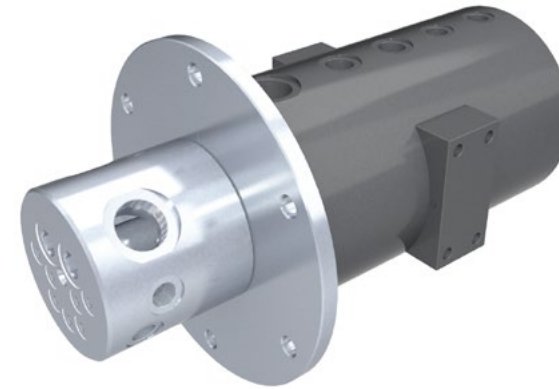


Distributore rotante 09 vie
Swivel joint 09 ways

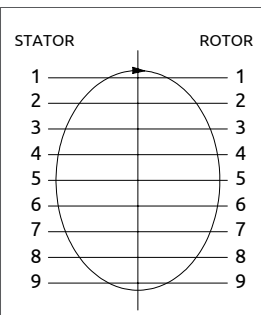
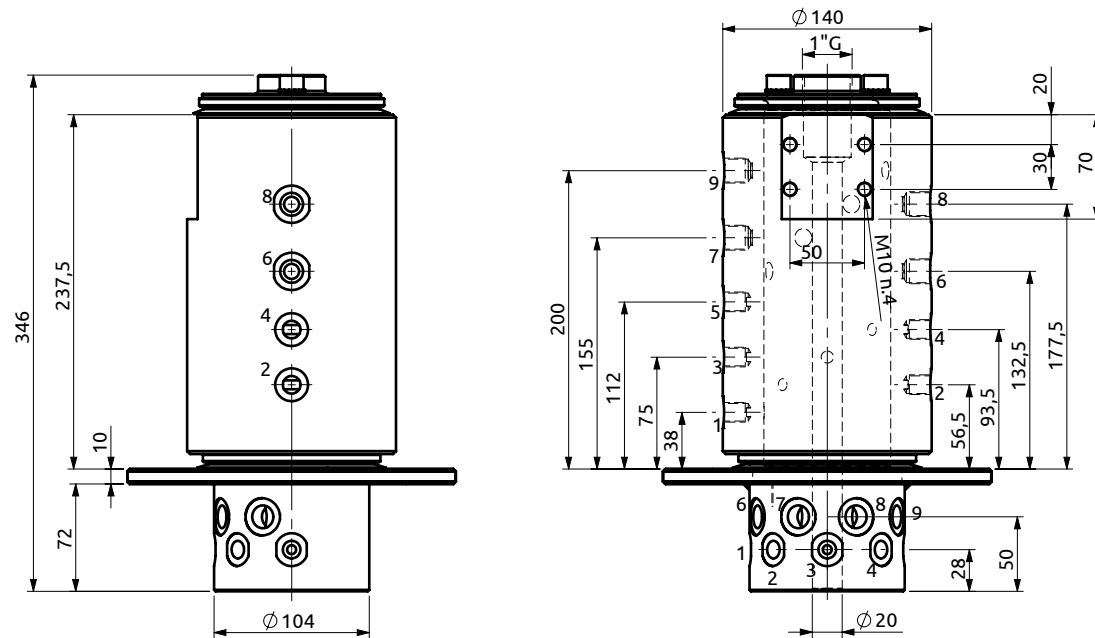
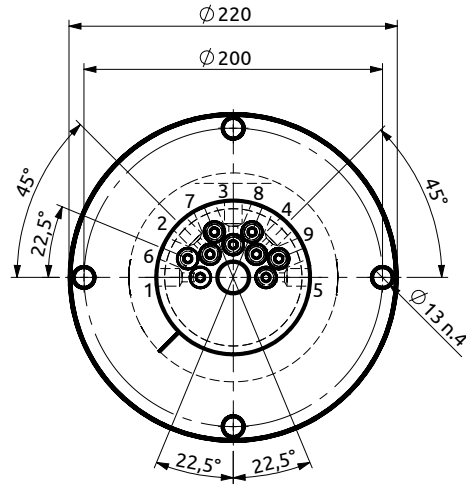
Item code
D085090100



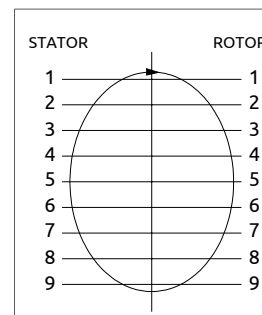
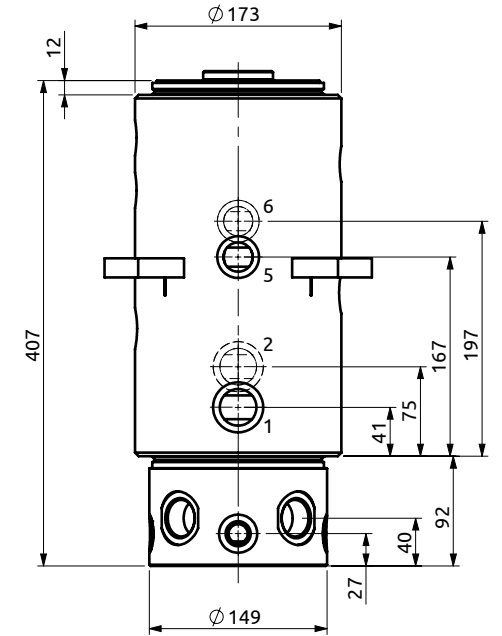
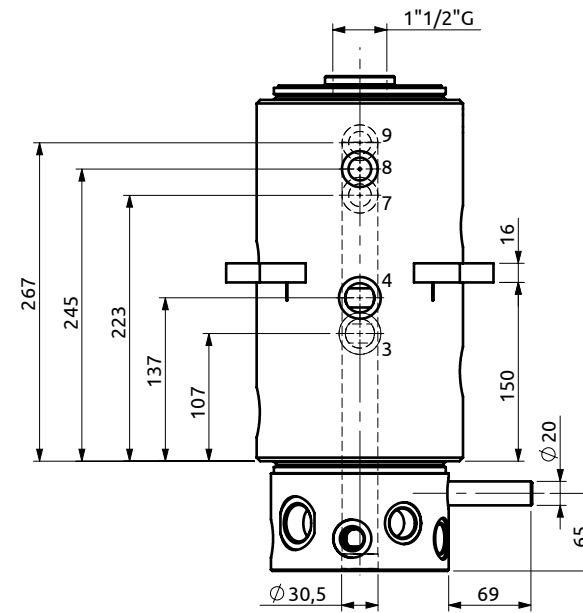
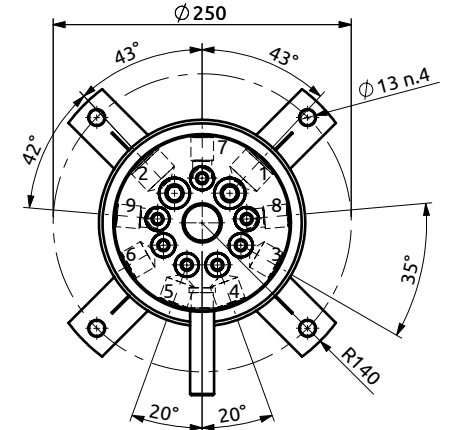
POS.	Statore Stator	Rotore Rotor	DN (mm)	Pressione max a 12RPM (bar) Max pressure at 12RPM (bar)	Fluido Fluid
1	3/8"G	3/8"G	16	300	Hydraulic Oil
2	3/8"G	3/8"G	16	300	Hydraulic Oil
3	3/8"G	3/8"G	16	300	Hydraulic Oil
4	3/8"G	3/8"G	16	300	Hydraulic Oil
5	3/8"G	3/8"G	12	300	Hydraulic Oil
6	3/8"G	3/8"G	12	300	Hydraulic Oil
7	3/8"G	3/8"G	12	300	Hydraulic Oil
8	3/8"G	3/8"G	12	300	Hydraulic Oil



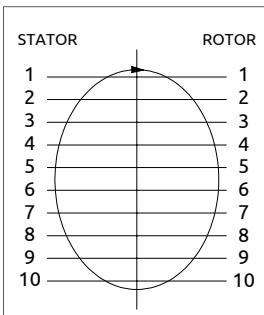
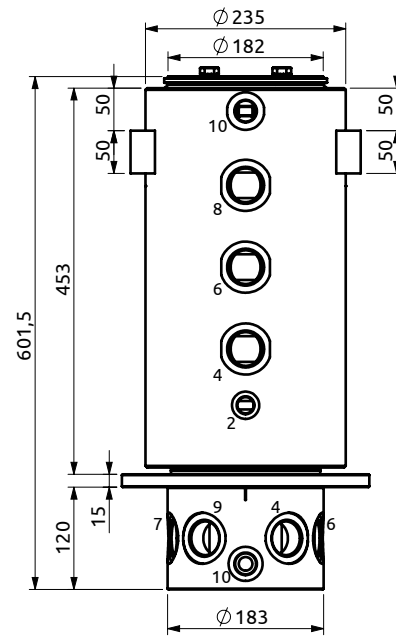
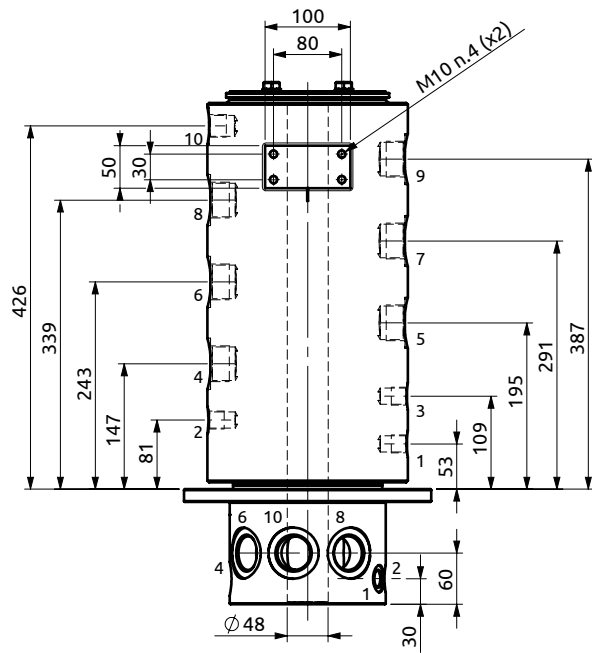
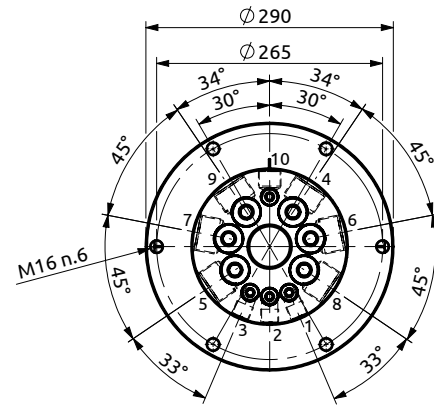
POS.	Statore Stator	Rotore Rotor	DN (mm)	Pressione max a 12RPM (bar) Max pressure at 12RPM (bar)	Fluido Fluid
1	1"G	1"G	25	350	Hydraulic Oil
2	1"G	1"G	25	350	Hydraulic Oil
3	1/2"G	1/2"G	12	350	Hydraulic Oil
4	1/2"G	1/2"G	12	350	Hydraulic Oil
5	1/2"G	1/2"G	12	350	Hydraulic Oil
6	3/8"G	3/8"G	10	350	Hydraulic Oil
7	3/8"G	3/8"G	10	350	Hydraulic Oil
8	3/8"G	3/8"G	10	350	Hydraulic Oil
9	3/8"G	3/8"G	10	350	Hydraulic Oil



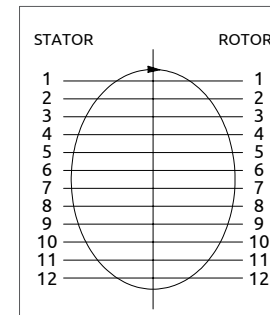
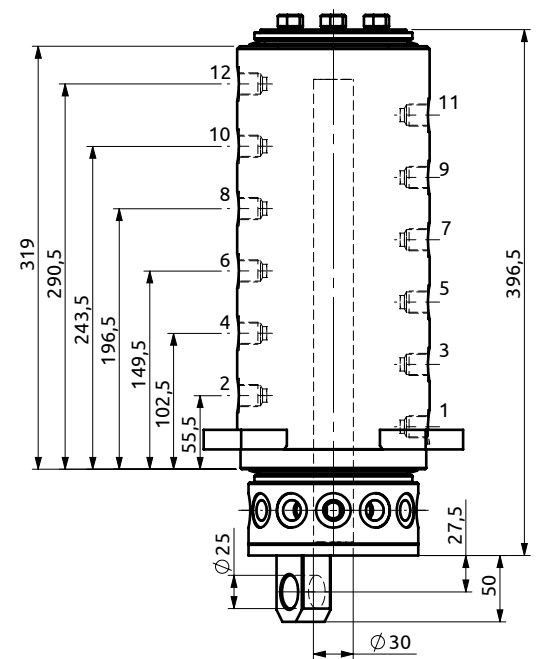
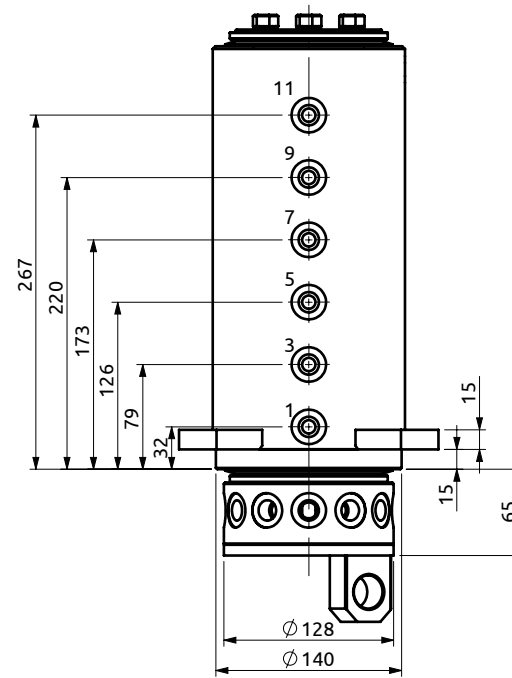
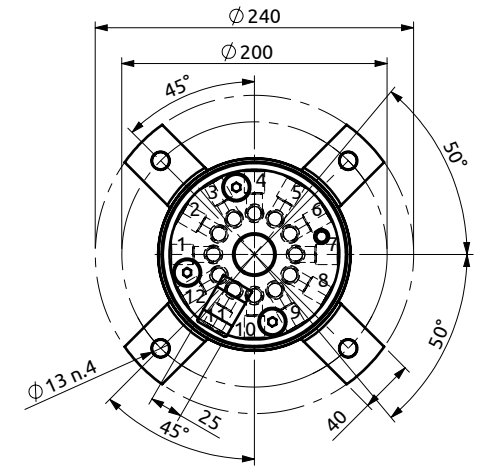
POS.	Statore Stator	Rotore Rotor	DN (mm)	Pressione max a 12RPM (bar) Max pressure at 12RPM (bar)	Fluido Fluid
1	1/4"G	1/4"G	6	350	Hydraulic Oil
2	1/4"G	1/4"G	6	350	Hydraulic Oil
3	1/4"G	1/4"G	6	350	Hydraulic Oil
4	1/4"G	1/4"G	6	350	Hydraulic Oil
5	1/4"G	1/4"G	6	350	Hydraulic Oil
6	3/8"G	3/8"G	10	350	Hydraulic Oil
7	3/8"G	3/8"G	10	350	Hydraulic Oil
8	3/8"G	3/8"G	10	350	Hydraulic Oil
9	3/8"G	3/8"G	10	350	Hydraulic Oil



POS.	Statore Stator	Rotore Rotor	DN (mm)	Pressione max a 12RPM (bar) Max pressure at 12RPM (bar)	Fluido Fluid
1	1"G	1"G	10	320	Hydraulic Oil
2	1"G	1"G	10	320	Hydraulic Oil
3	3/4"G	3/4"G	10	320	Hydraulic Oil
4	3/4"G	3/4"G	10	320	Hydraulic Oil
5	3/4"G	3/4"G	10	350	Hydraulic Oil
6	3/4"G	3/4"G	10	350	Hydraulic Oil
7	1/2"G	1/2"G	10	5	Drain
8	1/2"G	1/2"G	10	320	Hydraulic Oil
9	1/2"G	1/2"G	10	320	Hydraulic Oil



POS.	Statore Stator	Rotore Rotor	DN (mm)	Pressione max a 12RPM (bar) Max pressure at 12RPM (bar)	Fluido Fluid
1	1/2"G	1/2"G	16	400	Hydraulic Oil
2	1/2"G	1/2"G	16	400	Hydraulic Oil
3	1/2"G	1/2"G	16	400	Hydraulic Oil
4	1"1/4G	1"1/4G	30	400	Hydraulic Oil
5	1"1/4G	1"1/4G	30	400	Hydraulic Oil
6	1"1/4G	1"1/4G	30	400	Hydraulic Oil
7	1"1/4G	1"1/4G	30	400	Hydraulic Oil
8	1"1/4G	1"1/4G	30	400	Hydraulic Oil
9	1"1/4G	1"1/4G	30	400	Hydraulic Oil
10	3/4"G	3/4"G	16	50	Drain

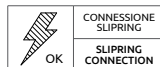
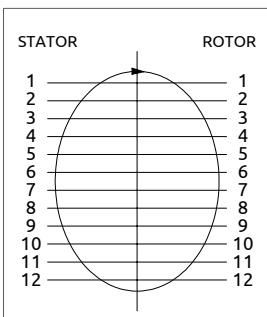
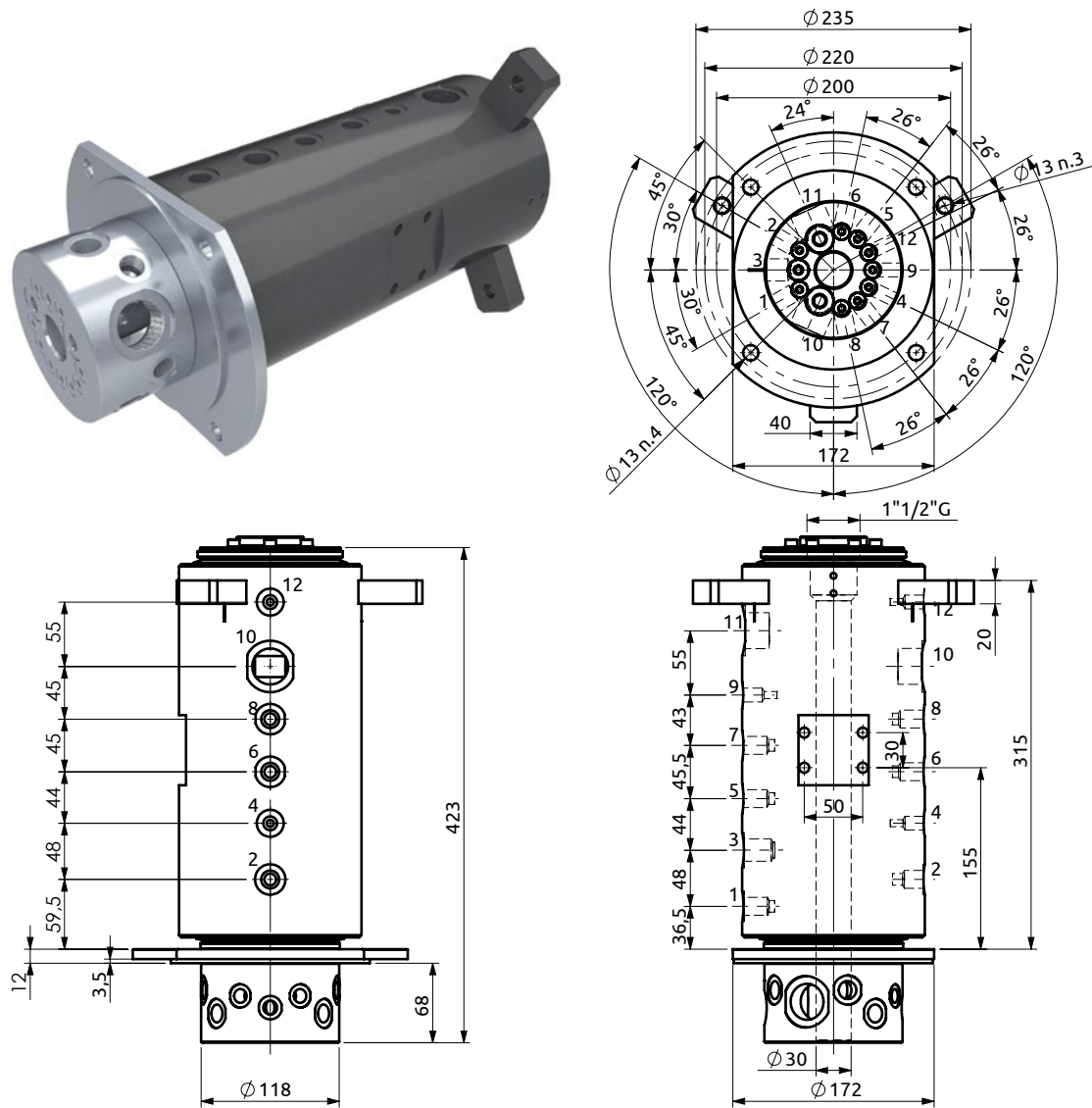


POS.	Statore Stator	Rotore Rotor	DN (mm)	Pressione max a 12RPM (bar) Max pressure at 12RPM (bar)	Fluido Fluid
1	3/8"G	3/8"G	10	350	Hydraulic Oil
2	3/8"G	3/8"G	10	350	Hydraulic Oil
3	3/8"G	3/8"G	10	350	Hydraulic Oil
4	3/8"G	3/8"G	10	350	Hydraulic Oil
5	3/8"G	3/8"G	10	350	Hydraulic Oil
6	3/8"G	3/8"G	10	350	Hydraulic Oil
7	3/8"G	3/8"G	10	350	Hydraulic Oil
8	3/8"G	3/8"G	10	350	Hydraulic Oil
9	3/8"G	3/8"G	10	350	Hydraulic Oil
10	3/8"G	3/8"G	10	350	Hydraulic Oil
11	3/8"G	3/8"G	10	350	Hydraulic Oil
12	3/8"G	3/8"G	10	350	Hydraulic Oil



Distributore rotante 12 vie
Swivel joint 12 ways

Item code
D085120300

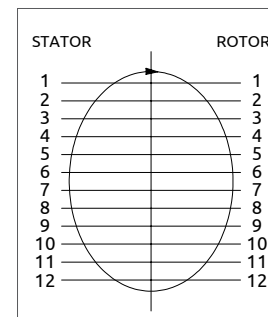
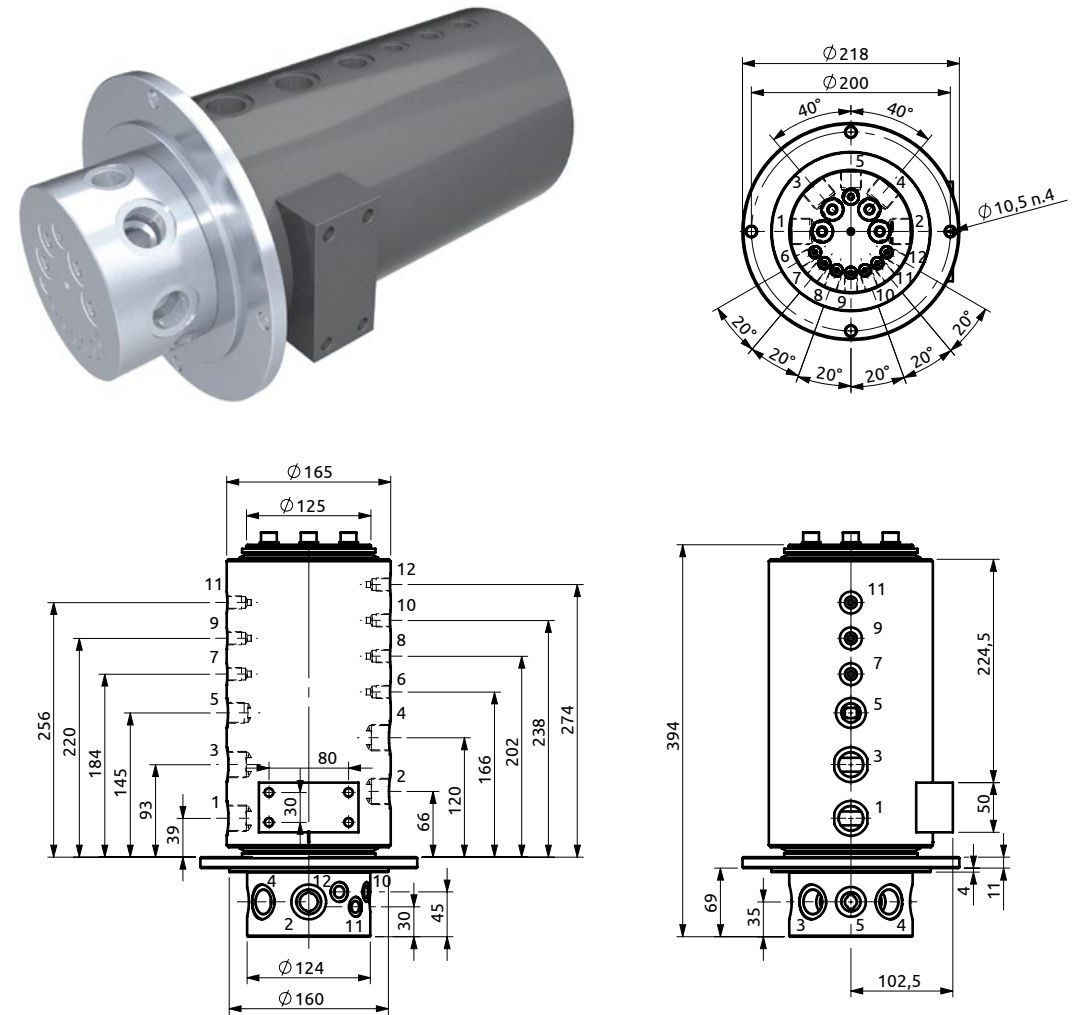


POS.	Statore Stator	Rotore Rotor	DN (mm)	Pressione max a 12RPM (bar) Max pressure at 12RPM (bar)	Fluido Fluid
1	3/8"G	3/8"G	10	5	Gasoil
2	3/8"G	3/8"G	10	5	Gasoil
3	1/2"G	1/2"G	14	5	Gasoil
4	1/4"G	1/4"G	6	350	Hydraulic Oil
5	3/8"G	3/8"G	10	350	Hydraulic Oil
6	3/8"G	3/8"G	10	350	Hydraulic Oil
7	3/8"G	3/8"G	10	350	Hydraulic Oil
8	3/8"G	3/8"G	10	350	Hydraulic Oil
9	1/4"G	1/4"G	6	350	Hydraulic Oil
10	1"G	1"G	22	350	Hydraulic Oil
11	1"G	1"G	22	350	Hydraulic Oil
12	1/4"G	1/4"G	6	350	Hydraulic Oil

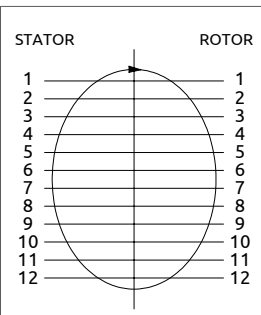
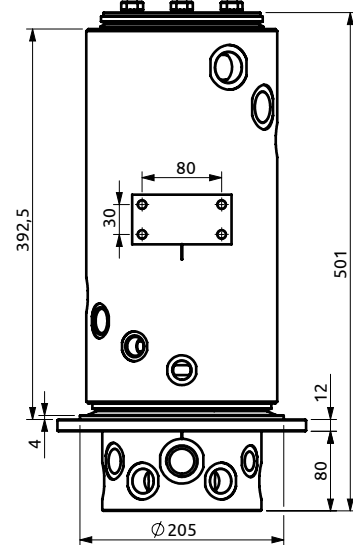
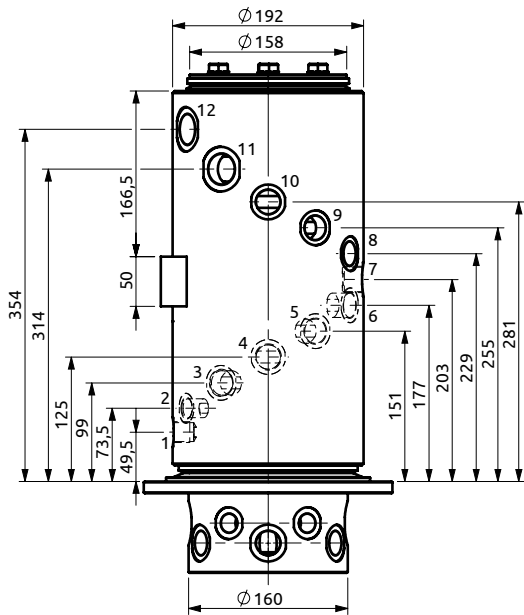
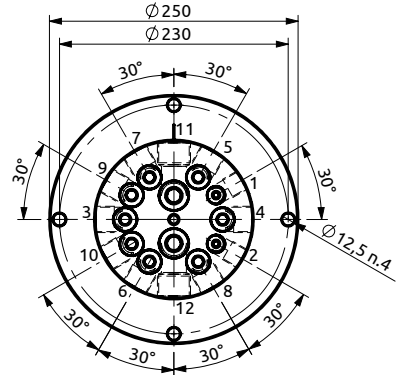
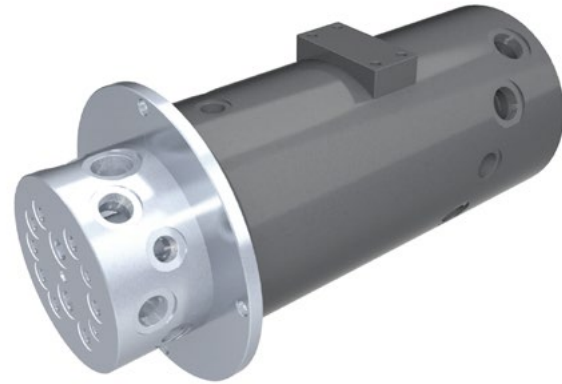


Distributore rotante 12 vie
Swivel joint 12 ways

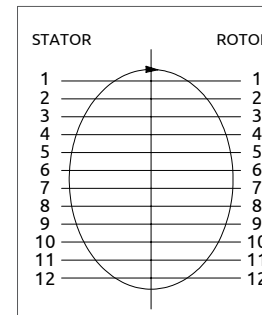
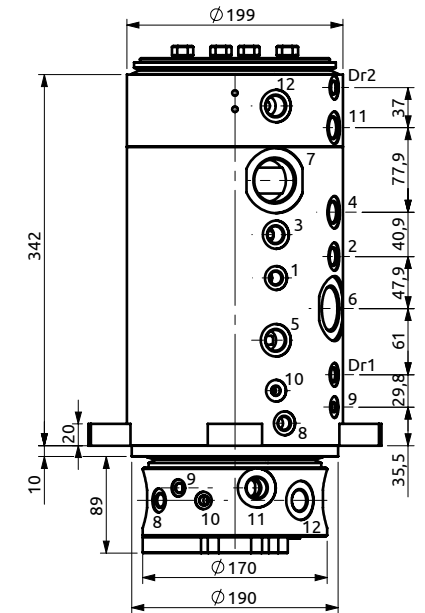
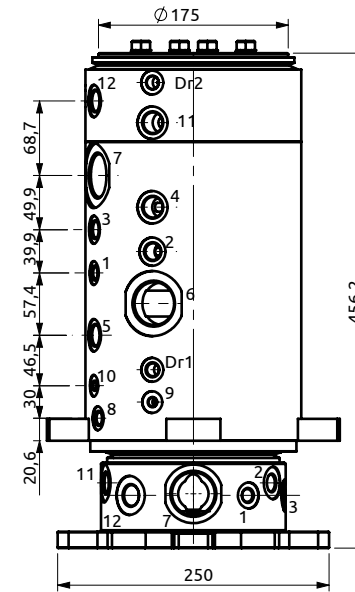
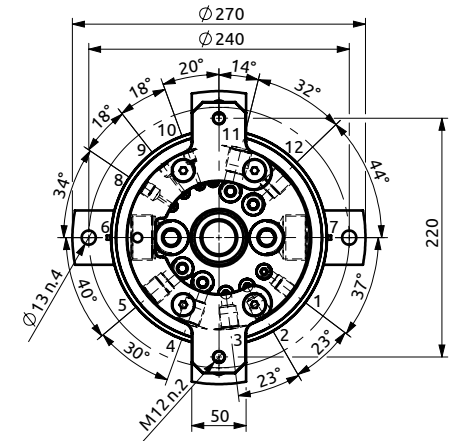
Item code
D100120100



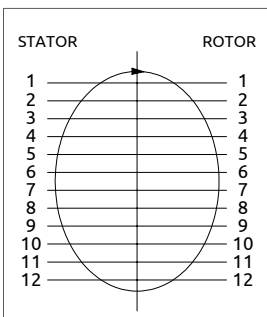
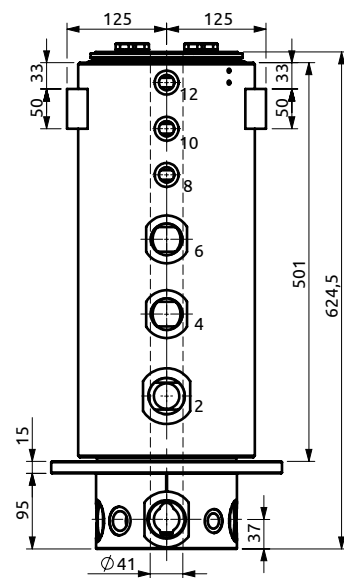
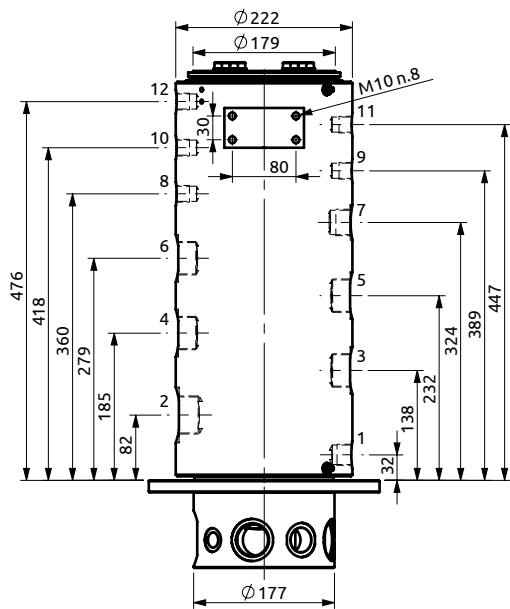
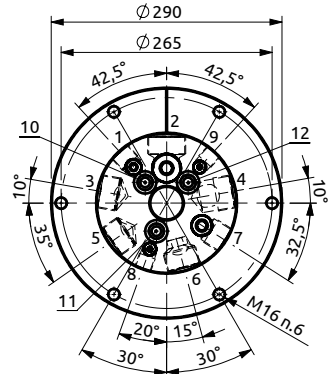
POS.	Statore Stator	Rotore Rotor	DN (mm)	Pressione max a 12RPM (bar) Max pressure at 12RPM (bar)	Fluido Fluid
1	3/4"G	3/4"G	18	330	Hydraulic Oil
2	3/4"G	3/4"G	18	330	Hydraulic Oil
3	3/4"G	3/4"G	18	330	Hydraulic Oil
4	3/4"G	3/4"G	18	330	Hydraulic Oil
5	1/2"G	1/2"G	12	330	Hydraulic Oil
6	1/4"G	1/4"G	6	330	Hydraulic Oil
7	1/4"G	1/4"G	6	330	Hydraulic Oil
8	1/4"G	1/4"G	6	330	Hydraulic Oil
9	1/4"G	1/4"G	6	330	Hydraulic Oil
10	1/4"G	1/4"G	6	330	Hydraulic Oil
11	1/4"G	1/4"G	6	330	Hydraulic Oil
12	1/4"G	1/4"G	6	330	Hydraulic Oil



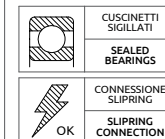
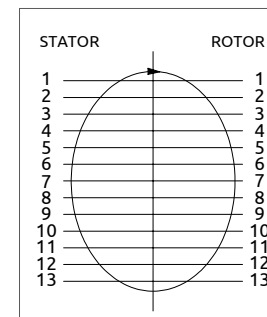
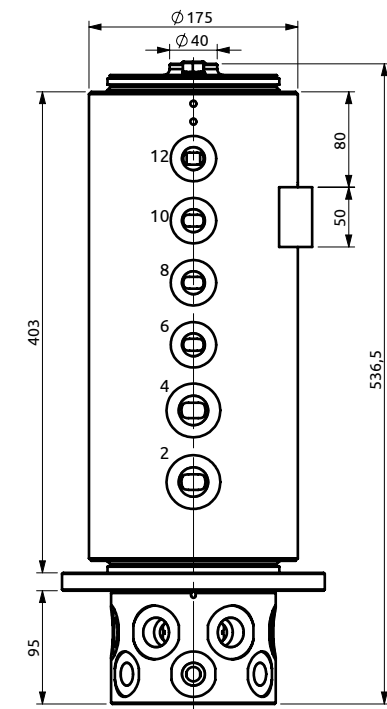
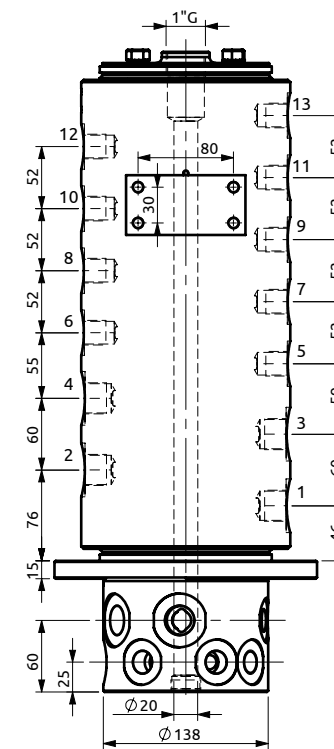
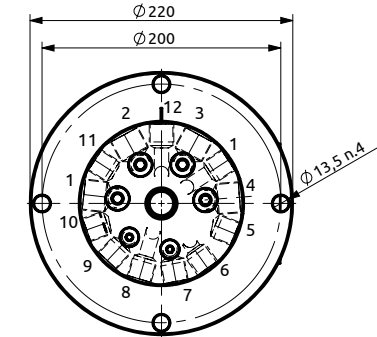
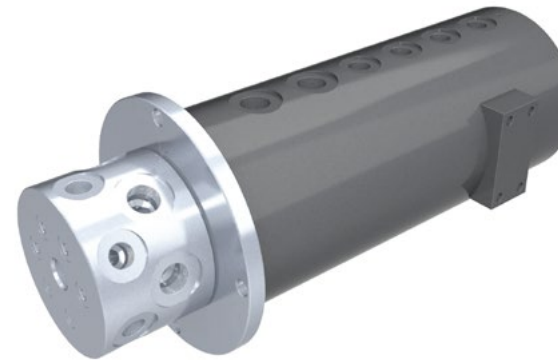
POS.	Statore Stator	Rotore Rotor	DN (mm)	Pressione max a 12RPM (bar) Max pressure at 12RPM (bar)	Fluido Fluid
1	1/2"G	1/2"G	12	350	Hydraulic Oil
2	1/2"G	1/2"G	12	350	Hydraulic Oil
3	3/4"G	3/4"G	19	350	Hydraulic Oil
4	3/4"G	3/4"G	19	350	Hydraulic Oil
5	3/4"G	3/4"G	19	350	Hydraulic Oil
6	3/4"G	3/4"G	19	350	Hydraulic Oil
7	3/4"G	3/4"G	19	350	Hydraulic Oil
8	3/4"G	3/4"G	19	350	Hydraulic Oil
9	3/4"G	3/4"G	19	350	Hydraulic Oil
10	3/4"G	3/4"G	19	350	Hydraulic Oil
11	1"G	1"G	25	350	Hydraulic Oil
12	1"G	1"G	25	350	Hydraulic Oil



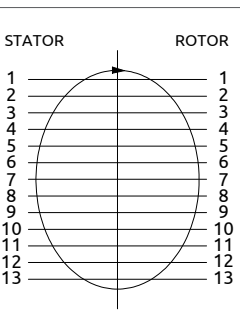
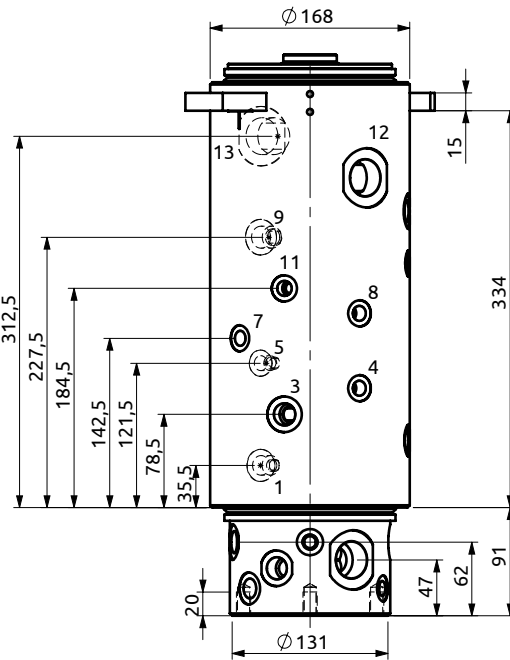
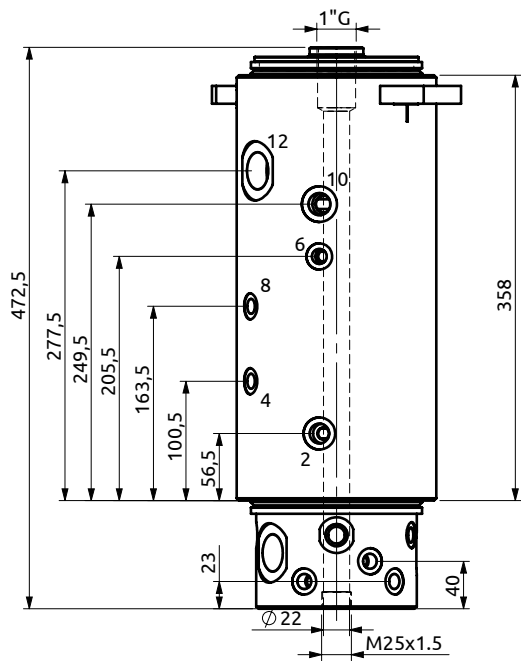
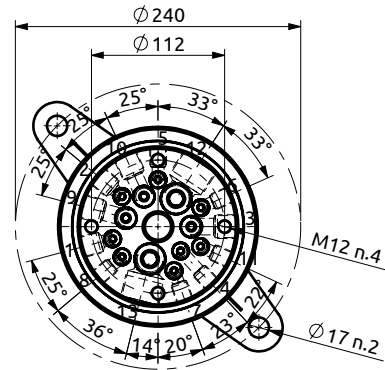
POS.	Statore Stator	Rotore Rotor	DN (mm)	Pressione max a 12RPM (bar) Max pressure at 12RPM (bar)	Fluido Fluid
1	1/4"G	1/4"G	4	300	Hydraulic Oil
2	M10x1	M10x1	4	300	Hydraulic Oil
3	M10x1	M10x1	4	300	Hydraulic Oil
4	1/2"G	1/2"G	13	300	Hydraulic Oil
5	1"1/4G	1"1/4G	30	300	Hydraulic Oil
6	1/4"G	1/4"G	8	300	Hydraulic Oil
7	3/8"G	3/8"G	10	300	Hydraulic Oil
8	3/8"G	3/8"G	10	300	Hydraulic Oil
9	1/2"G	1/2"G	13	300	Hydraulic Oil
10	1"1/4G	1"1/4G	30	300	Hydraulic Oil
11	1"1/4G	1"1/4G	13	50	Water
12	1/2"G	1/2"G	13	50	Water



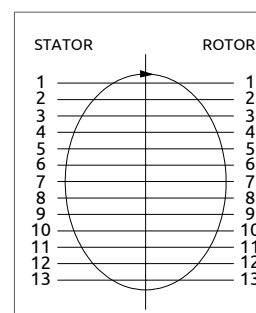
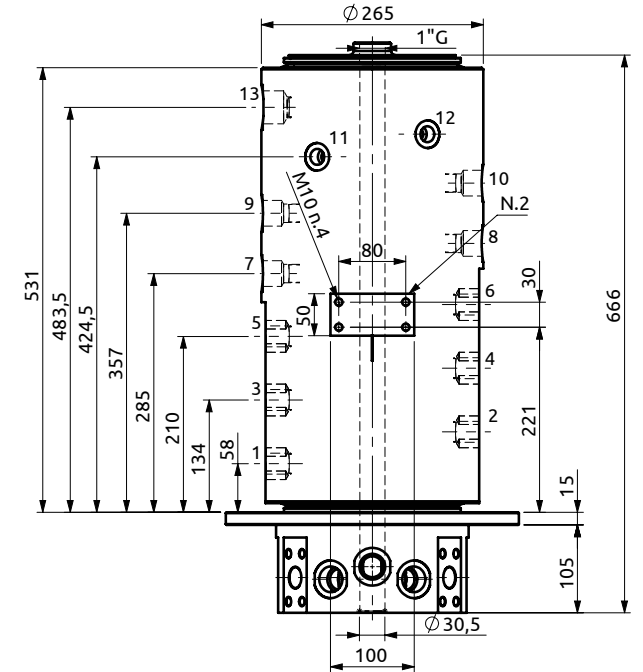
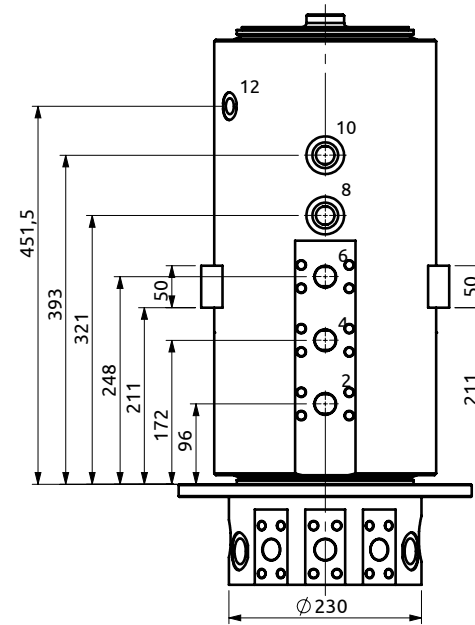
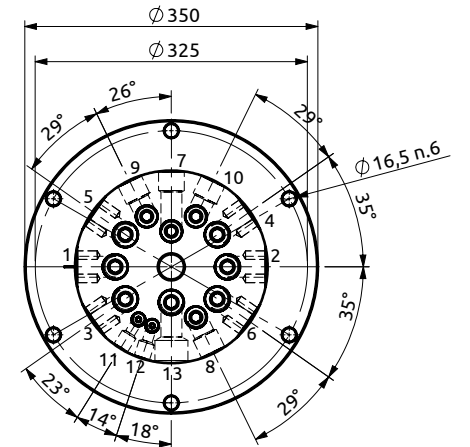
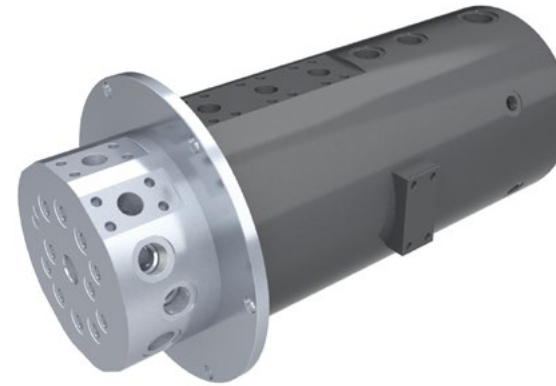
POS.	Statore Stator	Rotore Rotor	DN (mm)	Pressione max a 12RPM (bar) Max pressure at 12RPM (bar)	Fluido Fluid
1	3/4"G	3/4"G	16	50	Hydraulic Oil
2	1"1/2G	1"1/2G	32	350	Hydraulic Oil
3	1"1/4G	1"1/4G	30	350	Hydraulic Oil
4	1"1/4G	1"1/4G	30	350	Hydraulic Oil
5	1"1/4G	1"1/4G	30	350	Hydraulic Oil
6	1"1/4G	1"1/4G	30	350	Hydraulic Oil
7	1"G	1"G	22	350	Hydraulic Oil
8	1/2"G	1/2"G	12	350	Hydraulic Oil
9	1/2"G	1/2"G	12	350	Hydraulic Oil
10	1/2"G	1/2"G	12	350	Hydraulic Oil
11	1/2"G	1/2"G	12	350	Hydraulic Oil
12	1/2"G	1/2"G	12	50	Hydraulic Oil



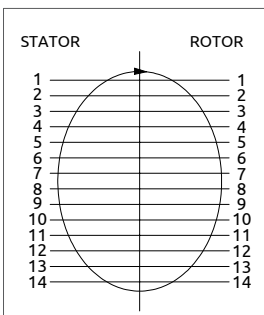
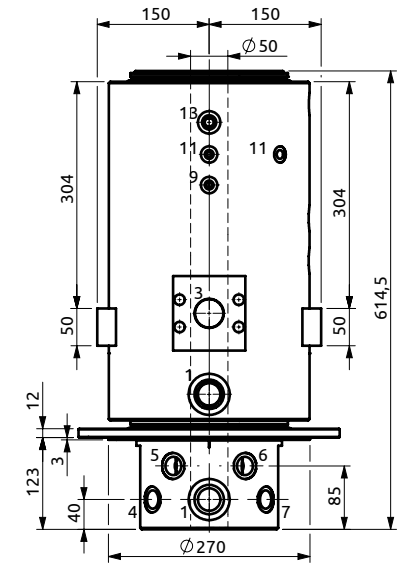
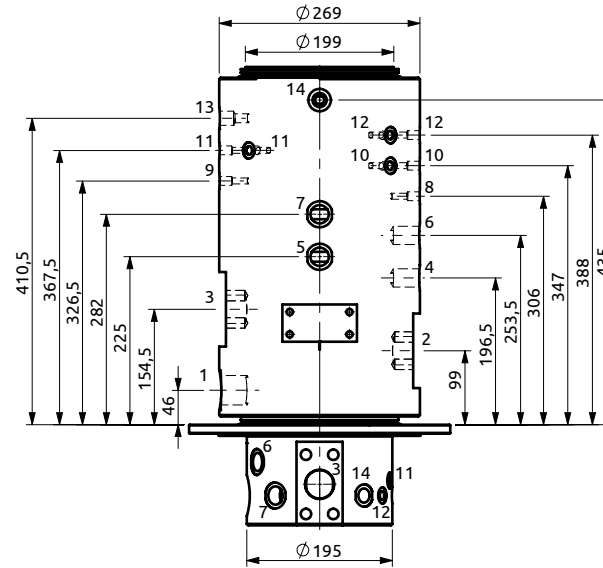
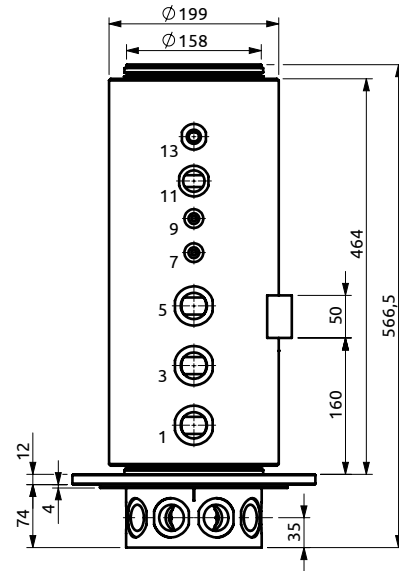
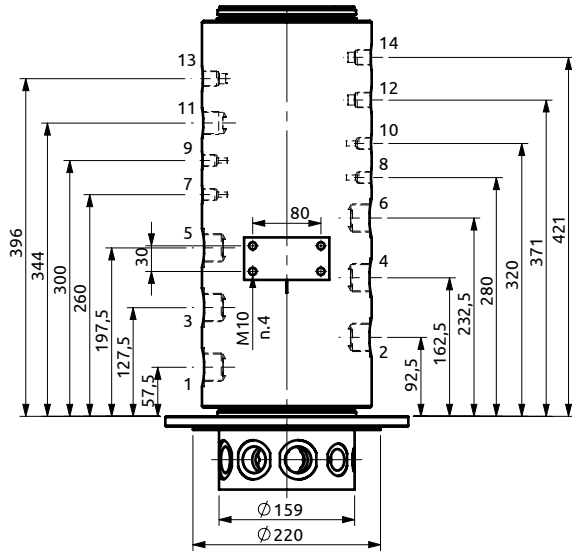
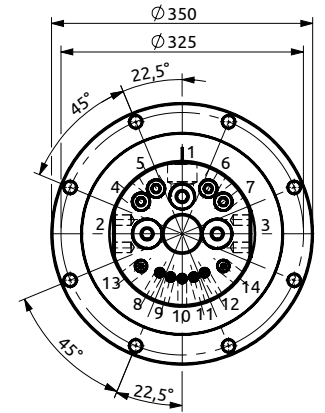
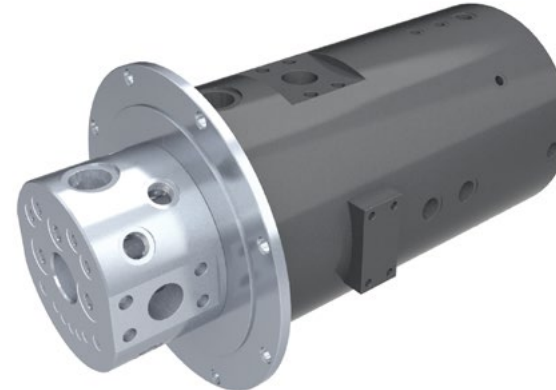
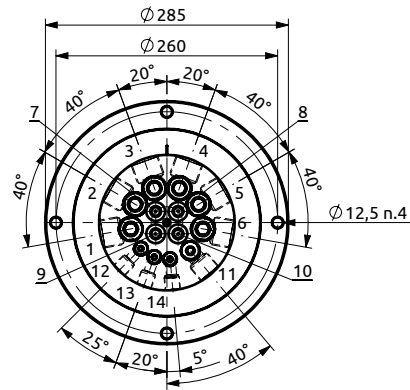
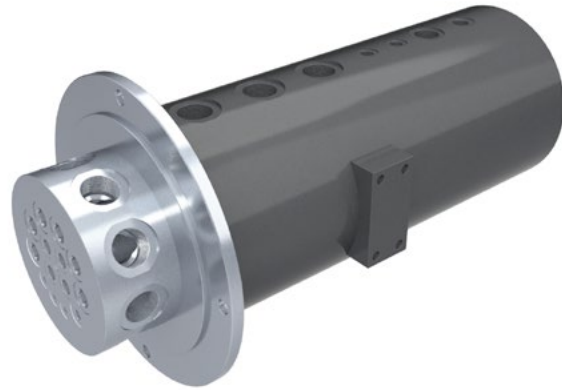
POS.	Statore Stator	Rotore Rotor	DN (mm)	Pressione max a 12RPM (bar) Max pressure at 12RPM (bar)	Fluido Fluid
1	3/4"G	3/4"G	16	420	Hydraulic Oil
2	3/4"G	3/4"G	16	420	Hydraulic Oil
3	3/4"G	3/4"G	16	420	Hydraulic Oil
4	3/4"G	3/4"G	16	420	Hydraulic Oil
5	1/2"G	1/2"G	12	420	Hydraulic Oil
6	1/2"G	1/2"G	12	420	Hydraulic Oil
7	1/2"G	1/2"G	12	420	Hydraulic Oil
8	1/2"G	1/2"G	12	420	Hydraulic Oil
9	1/2"G	1/2"G	12	420	Hydraulic Oil
10	1/2"G	1/2"G	12	420	Hydraulic Oil
11	1/2"G	1/2"G	12	420	Hydraulic Oil
12	1/2"G	1/2"G	12	420	Hydraulic Oil
13	1/2"G	1/2"G	12	420	Hydraulic Oil



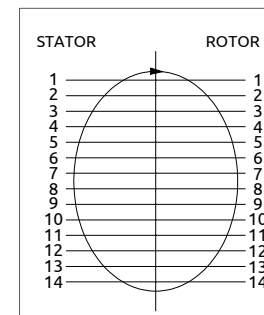
POS.	Statore Stator	Rotore Rotor	DN (mm)	Pressione max a 12RPM (bar) Max pressure at 12RPM (bar)	Fluido Fluid
1	M18x1.5	M18x1.5	10	350	Hydraulic Oil
2	M18x1.5	M18x1.5	10	350	Hydraulic Oil
3	M20x1.5	M20x1.5	14	30	Drain
4	M14x1.5	M14x1.5	10	350	Hydraulic Oil
5	M14x1.5	M14x1.5	10	350	Hydraulic Oil
6	M14x1.5	M14x1.5	10	350	Hydraulic Oil
7	M14x1.5	M14x1.5	10	350	Hydraulic Oil
8	M14x1.5	M14x1.5	10	350	Hydraulic Oil
9	M20x1.5	M20x1.5	14	350	Hydraulic Oil
10	M20x1.5	M20x1.5	14	350	Hydraulic Oil
11	M14x1.5	M14x1.5	10	350	Hydraulic Oil
12	M33x2	M33x2	22	350	Hydraulic Oil
13	M33x2	M33x2	22	350	Hydraulic Oil



POS.	Statore Stator	Rotore Rotor	DN (mm)	Pressione max a 12RPM (bar) Max pressure at 12RPM (bar)	Fluido Fluid
1	1"SAE 6000	1"SAE 6000	25	350	Hydraulic Oil
2	1"SAE 6000	1"SAE 6000	25	350	Hydraulic Oil
3	1"SAE 6000	1"SAE 6000	25	350	Hydraulic Oil
4	1"SAE 6000	1"SAE 6000	25	350	Hydraulic Oil
5	1"SAE 6000	1"SAE 6000	25	350	Hydraulic Oil
6	1"SAE 6000	1"SAE 6000	25	350	Hydraulic Oil
7	1"G	1"G	22	300	Hydraulic Oil
8	1"G	1"G	22	300	Hydraulic Oil
9	1"G	1"G	22	300	Hydraulic Oil
10	1"G	1"G	22	300	Hydraulic Oil
11	1/2" G	1/2" G	12	150	Hydraulic Oil
12	1/2" G	1/2" G	12	60	Hydraulic Oil
13	1"1/4G	1"1/4G	25	60	Hydraulic Oil



POS.	Statore Stator	Rotore Rotor	DN (mm)	Pressione max a 12RPM (bar) Max pressure at 12RPM (bar)	Fluido Fluid
1	1"G	1"G	24	350	Hydraulic Oil
2	1"G	1"G	24	350	Hydraulic Oil
3	1"G	1"G	24	350	Hydraulic Oil
4	1"G	1"G	24	350	Hydraulic Oil
5	1"G	1"G	24	350	Hydraulic Oil
6	1"G	1"G	24	350	Hydraulic Oil
7	M14x1.5	M14x1.5	6	350	Hydraulic Oil
8	M14x1.5	M14x1.5	6	350	Hydraulic Oil
9	M14x1.5	M14x1.5	6	350	Hydraulic Oil
10	M14x1.5	M14x1.5	6	350	Hydraulic Oil
11	M27x2	M27x2	18	350	Hydraulic Oil
12	M18x1.5	M18x1.5	12	350	Hydraulic Oil
13	M18x1.5	M18x1.5	12	350	Hydraulic Oil
14	M18x1.5	M18x1.5	12	350	Hydraulic Oil

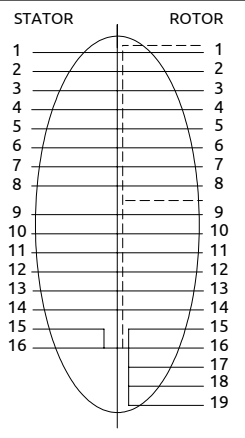
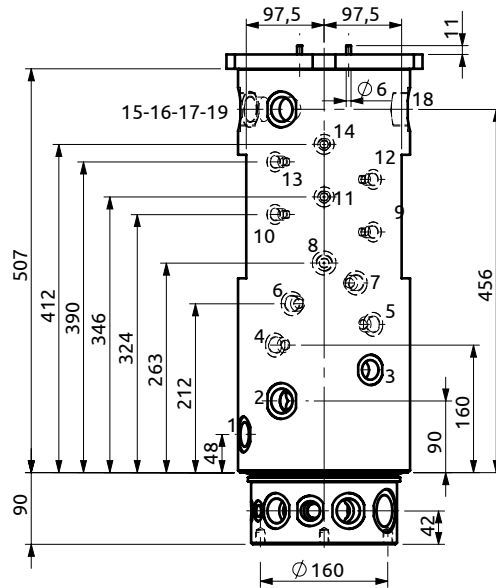
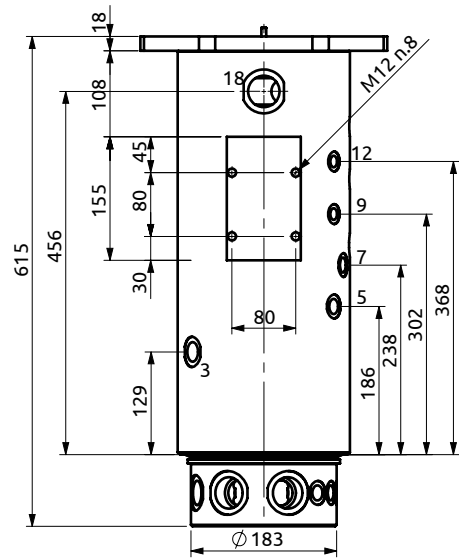
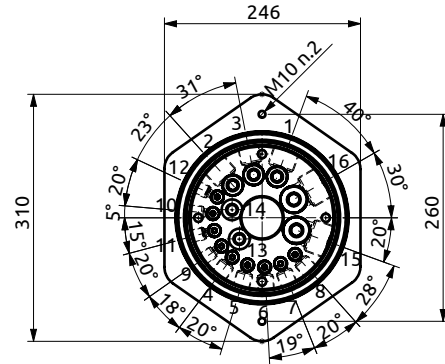


POS.	Statore Stator	Rotore Rotor	DN (mm)	Pressione max a 12RPM (bar) Max pressure at 12RPM (bar)	Fluido Fluid
1	1 1/4"G	1 1/4"G	31	320	Hydraulic Oil
2	1 1/2 SAE 6000	1 1/2 SAE 6000	38	320	Hydraulic Oil
3	1 1/2 SAE 6000	1 1/2 SAE 6000	38	320	Hydraulic Oil
4	3/4"G	3/4"G	19	320	Hydraulic Oil
5	3/4"G	3/4"G	19	320	Hydraulic Oil
6	3/4"G	3/4"G	19	320	Hydraulic Oil
7	3/4"G	3/4"G	19	320	Hydraulic Oil
8	1/4"G	1/4"G	6	320	Hydraulic Oil
9	1/4"G	1/4"G	6	320	Hydraulic Oil
10	1/4"G	1/4"G n.2	6	320	Hydraulic Oil
11	1/4"G	1/4"G n.2	6	320	Hydraulic Oil
12	1/4"G	1/4"G n.2	6	320	Hydraulic Oil
13	1/2"G	1/2"G	12	320	Hydraulic Oil
14	1/2"G	1/2"G	12	320	Hydraulic Oil



Distributore rotante 15 vie
Swivel joint 15 ways

Item code
D145150100

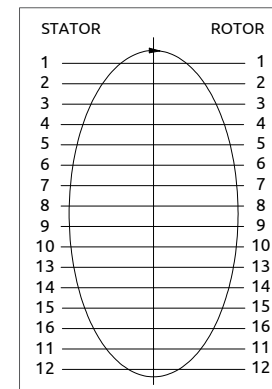
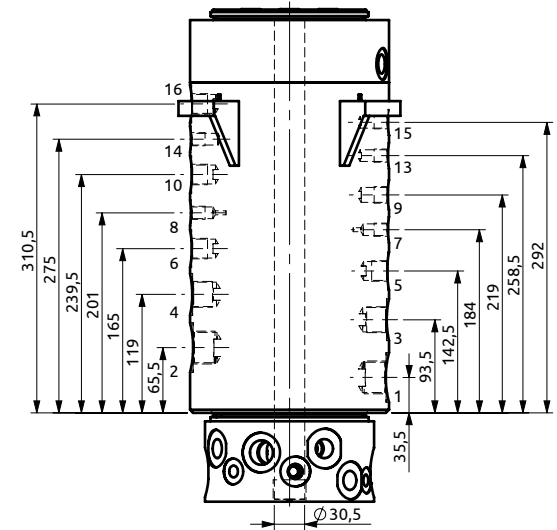
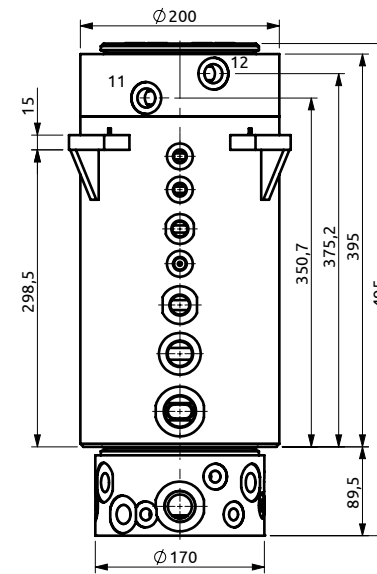
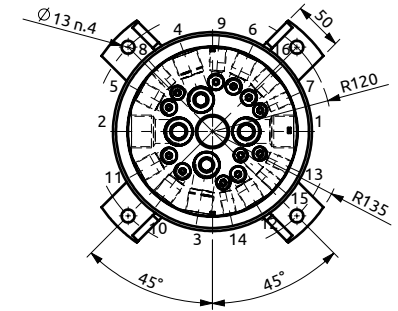


POS.	Statore Stator	Rotore Rotor	DN (mm)	Pressione max a 12RPM (bar) Max pressure at 12RPM (bar)	Fluido Fluid
1	1"G	1"G	22	320	Hydraulic oil
2	1"G	1"G	22	320	Hydraulic oil
3	3/4"G	3/4"G	18	320	Hydraulic oil
4	1/2"G	1/2"G	12	320	Hydraulic oil
5	1/2"G	1/2"G	12	320	Hydraulic oil
6	1/2"G	1/2"G	12	320	Hydraulic oil
7	1/2"G	1/2"G	12	320	Hydraulic oil
8	1/2"G	1/2"G	10	320	Hydraulic oil
9	M16x1.5	M16x1.5	10	15	Air
10	M16x1.5	M16x1.5	10	15	Air
11	M16x1.5	M16x1.5	10	15	Air
12	M16x1.5	M16x1.5	10	15	Air
13	M16x1.5	M16x1.5	10	15	Air
14	M16x1.5	M16x1.5	10	15	Air
15	1"1/4 G	1"1/4 G	32	10	Hydraulic oil
		1"G			
		1"G			
		1/2"G			

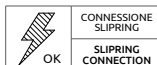
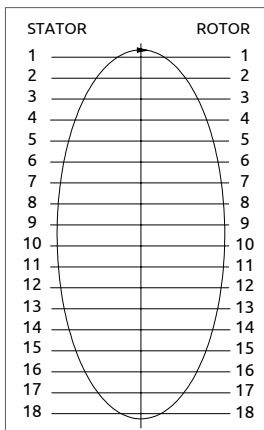
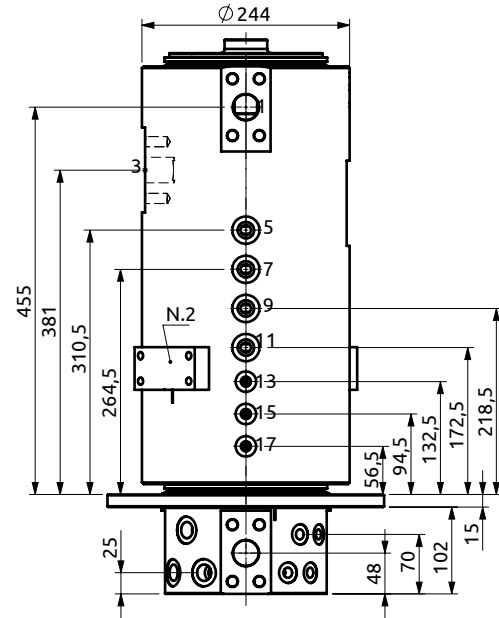
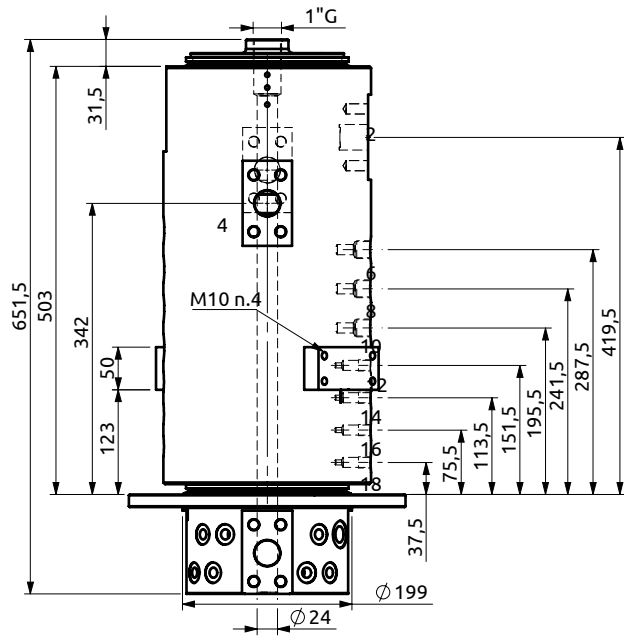
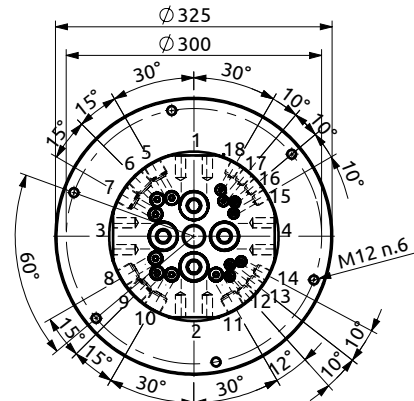


Distributore rotante 16 vie
Swivel joint 16 ways

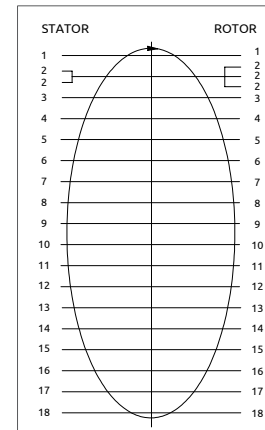
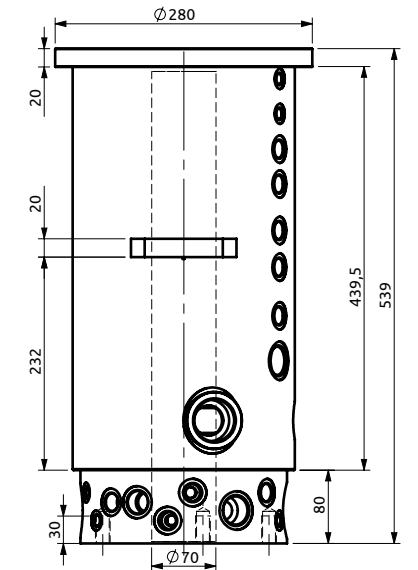
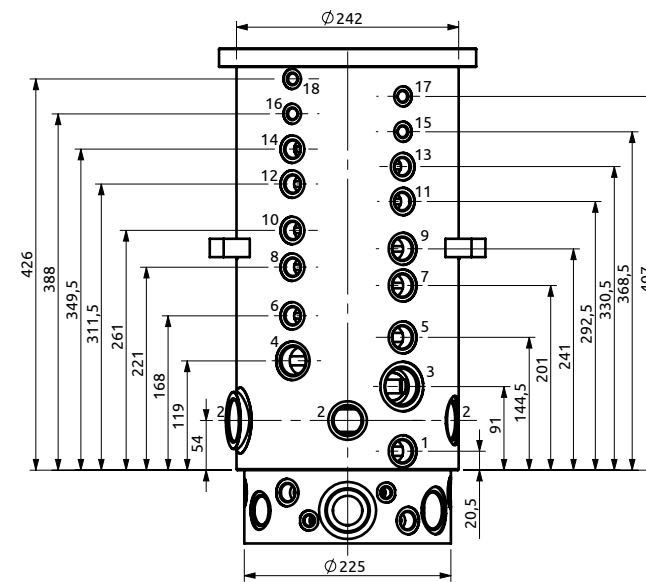
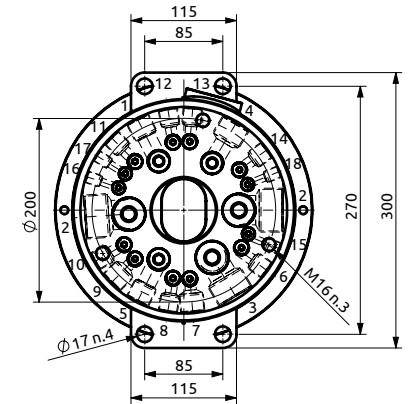
Item code
D125160100



POS.	Statore Stator	Rotore Rotor	DN (mm)	Pressione max a 12RPM (bar) Max pressure at 12RPM (bar)	Fluido Fluid
1	1"G	1"G	25	300	Hydraulic Oil
2	1"G	1"G	25	300	Hydraulic Oil
3	3/4"G	3/4"G	19	300	Hydraulic Oil
4	3/4"G	3/4"G	19	300	Hydraulic Oil
5	1/2"G	1/2"G	12	300	Hydraulic Oil
6	1/2"G	1/2"G	12	300	Hydraulic Oil
7	1/4"G	1/4"G	6	300	Hydraulic Oil
8	1/4"G	1/4"G	6	300	Hydraulic Oil
9	3/8"G	3/8"G	10	300	Hydraulic Oil
10	1/2"G	1/2"G	12	300	Hydraulic Oil
13	1/4"G	1/4"G	6	300	Hydraulic Oil
14	1/4"G	1/4"G	6	300	Hydraulic Oil
15	1/4"G	1/4"G	6	300	Hydraulic Oil
16	1/2"G	1/2"G	12	300	Hydraulic Oil
11	1/2"G	1/2"G	12	50	Water
12	1/2"G	1/2"G	12	50	Water



POS.	Statore Stator	Rotore Rotor	DN (mm)	Pressione max a 12RPM (bar) Max pressure at 12RPM (bar)	Fluido Fluid
1	1"1/4 SAE 6000	1"1/4 SAE 6000	30	380	Hydraulic Oil
2	1"1/4 SAE 6000	1"1/4 SAE 6000	30	380	Hydraulic Oil
3	1"1/4 SAE 6000	1"1/4 SAE 6000	30	380	Hydraulic Oil
4	1"1/4 SAE 6000	1"1/4 SAE 6000	30	380	Hydraulic Oil
5	1/2"G	1/2"G	12	300	Hydraulic Oil
6	1/2"G	1/2"G	12	300	Hydraulic Oil
7	1/2"G	1/2"G	12	300	Hydraulic Oil
8	1/2"G	1/2"G	12	300	Hydraulic Oil
9	1/2"G	1/2"G	12	300	Hydraulic Oil
10	1/2"G	1/2"G	12	300	Hydraulic Oil
11	1/2"G	1/2"G	12	300	Hydraulic Oil
12	1/4"G	1/4"G	6	300	Hydraulic Oil
13	1/4"G	1/4"G	6	300	Hydraulic Oil
14	1/4"G	1/4"G	6	300	Hydraulic Oil
15	1/4"G	1/4"G	6	300	Hydraulic Oil
16	1/4"G	1/4"G	6	300	Hydraulic Oil
17	1/4"G	1/4"G	6	300	Hydraulic Oil
18	1/4"G	1/4"G	6	300	Hydraulic Oil



POS.	Statore Stator	Rotore Rotor	DN (mm)	Pressione max a 12RPM (bar) Max pressure at 12RPM (bar)	Fluido Fluid
1	3/4"G	3/4"G	20	300	Hydraulic Oil
2	1"1/2G n.2	1"1/2G-1"1/4G-1"G	32	300	Hydraulic Oil
3	1"1/4G	1"1/4G	30	300	Hydraulic Oil
4	1"G	1"G	20	300	Hydraulic Oil
5	3/4"G	3/4"G	20	300	Hydraulic Oil
6	1/2"G	1/2"G	12	300	Hydraulic Oil
7	3/4"G	3/4"G	12	300	Hydraulic Oil
8	1/2"G	1/2"G	12	300	Hydraulic Oil
9	3/4"G	3/4"G	12	300	Hydraulic Oil
10	1/2"G	1/2"G	12	300	Hydraulic Oil
11	1/2"G	1/2"G	12	10	Air
12	1/2"G	1/2"G	12	10	Air
13	1/2"G	1/2"G	12	10	Air
14	1/2"G	1/2"G	12	10	Air
15	1/4"G	1/4"G	8	10	Air
16	1/4"G	1/4"G	8	10	Air
17	1/4"G	1/4"G	8	10	Air
18	1/4"G	1/4"G	8	10	Air



H.B.S. srl

Via Mastroppla 4/6
 46040 Monzambano
 Mantova - Italy
 Phone: ++390376800200
 E-mail: customerservice@hbs.it

H.B.S. Co. Beijing LTD

N. 6102 Bldg, 16 Guanghua Rd
 Tongzhou Industrial Devel. Zone
 Beijing China
 Phone: ++86 10 61507457
 E-mail: zhuhua@hbsvalves.com.cn

H.B.S. do Brasil Ltda

Rua Domenico Martin Mezzomo, 159
 Bairro: Santa Catarina 95030-230
 Caxias do Sul - RS / Brasil
 Phone: ++55 54 30282900
 E-mail: lulian@hbs.it

H.B.S. India Pvt Ltd

3,Gokul Industrial Estate
 Plot n. 150 - Marol Co-Op.Ind.Estate
 Mumbai - 400059 - India
 Phone: ++91 22 28560202
 E-mail: sgupta@hbsvalves.in