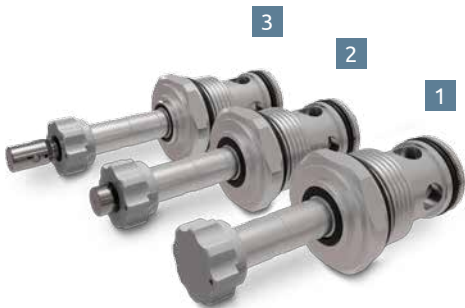
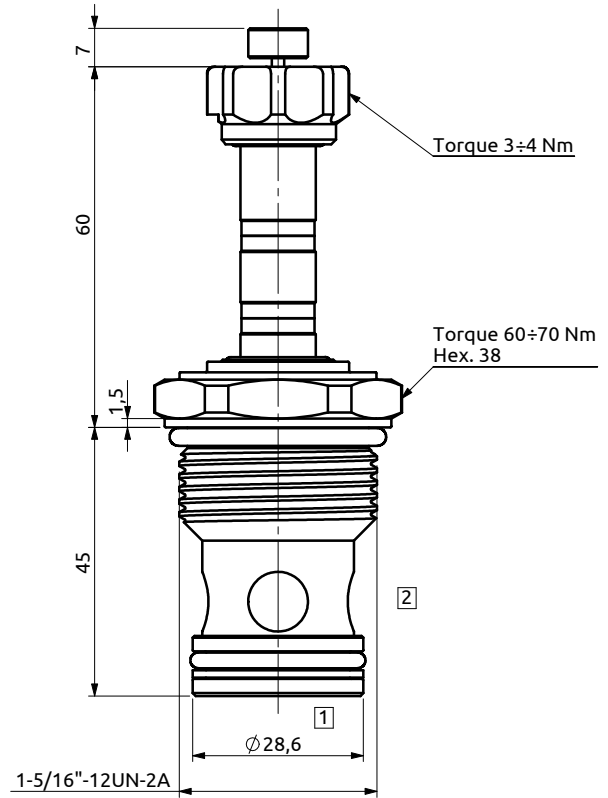
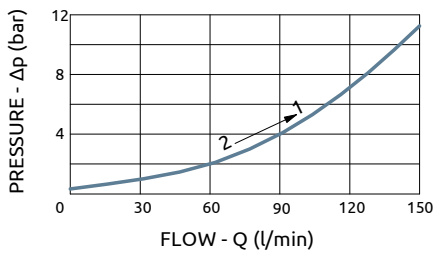


PERFORMANCE CURVES



	MANUAL OVERRIDE	ORDERING CODE
1	Not adjustable	E221160000
2	Push button	E221162000
3	Push&twist button	E221163000

PRESSURE	350 bar
FLOW	150 l/min
CAVITY	SAE 16
SEALS	NBR

INTERNAL LEAKAGE	0.15 cc/min
OIL TEMPERATURE	-40 ÷ 120 °C
FILTRATION	25 µm or better
WEIGHT	0.35 kg

Continuous duty coil must be ordered separately, see section 02