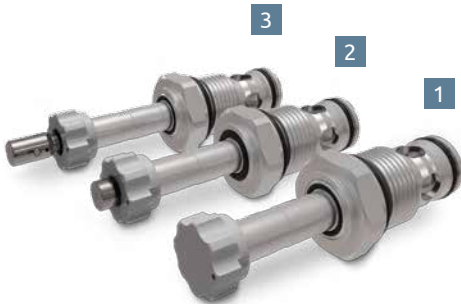
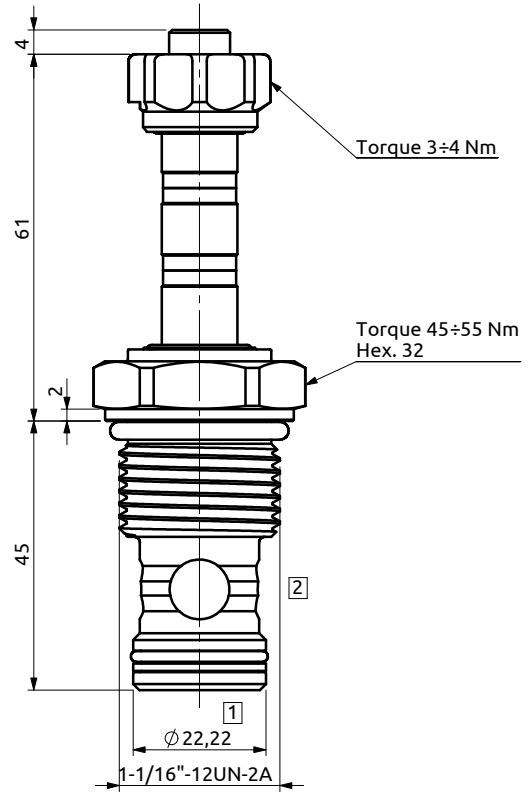
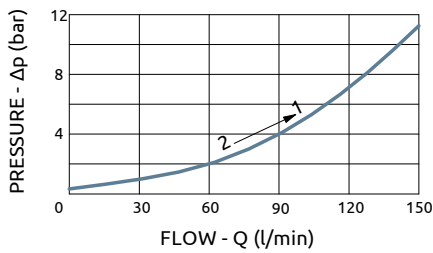


PERFORMANCE CURVES



| | MANUAL OVERRIDE | ORDERING CODE |
|---|-------------------|---------------|
| 1 | Not adjustable | E221120000 |
| 2 | Push button | E221122000 |
| 3 | Push&twist button | E221123000 |

| | |
|----------|-----------|
| PRESSURE | 350 bar |
| FLOW | 150 l/min |
| CAVITY | SAE 12 |
| SEALS | NBR |

| | |
|------------------|-----------------|
| INTERNAL LEAKAGE | 0.15 cc/min |
| OIL TEMPERATURE | -40 ÷ 120 °C |
| FILTRATION | 25 µm or better |
| WEIGHT | 0.23 kg |

Continuous duty coil must be ordered separately, see section 02